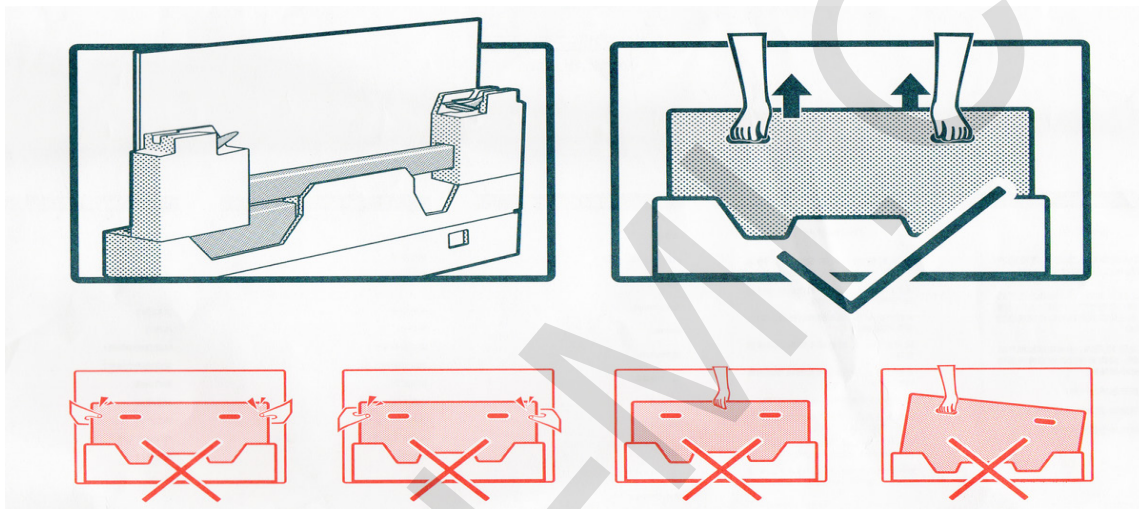


Mi TV 2 60'

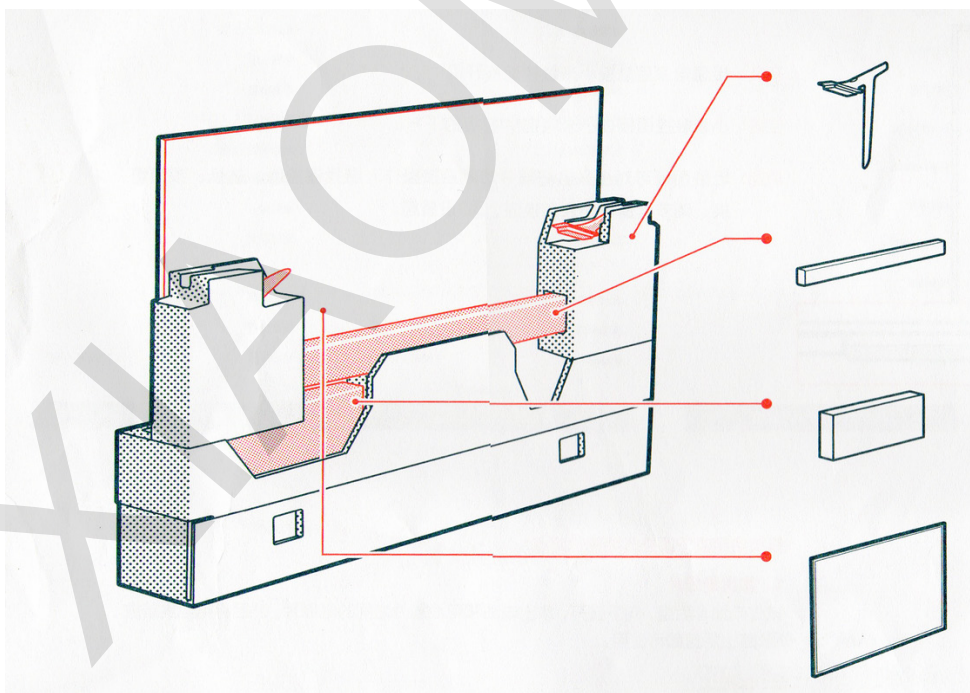
Manual

1 Take out components

2 Take out TV according to the image



3 Components



Bracket x2

-Left and right brackets. There are special set crews on the rear side of the TV left and right.

Mi home speaker system (linear loudspeaker)

It contains two linear loudspeakers and the subwoofer. Linear loudspeakers connect up to the TV and to the power supply only; subwoofer connects up to the TV only. After you're able to use the speaker system.

Additional tools box

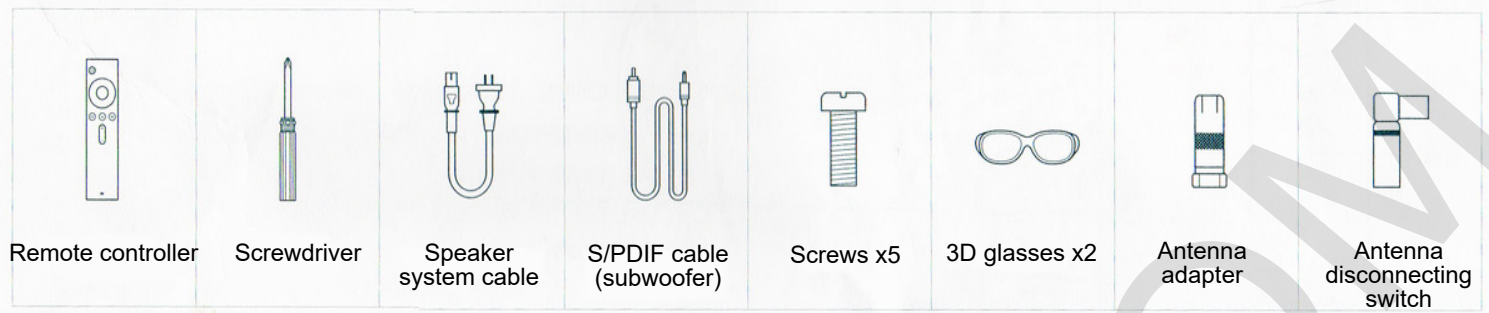
There is a screwdriver for brackets mount. Look at the additional tools image below for details.

Screen

Now you can take out the screen. We recommend you to put the screen on the soft area for comfortable mounting of the brackets.

4

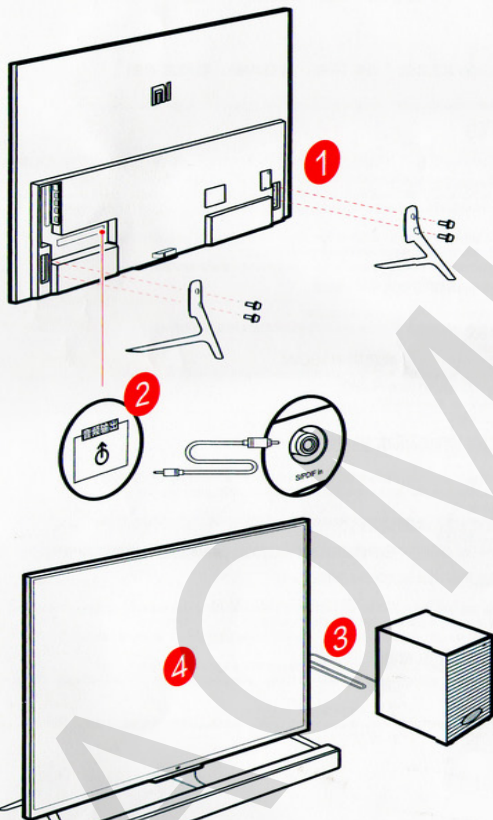
4. Additional tools:



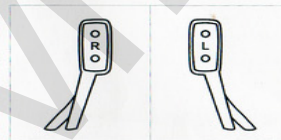
Elements that aren't included to the standard set: Mi TV and Mi speaker system combined with special wall holders, which you should separate.

5

5 Brackets and speakers system mount



01 Brackets mount



On the rear side of the brackets indicated which is for left and right sides of the TV.

02 Connect the speakers system to the TV

Power AUX stereo input coaxial S/PDIF input



Using S/PDIF cable, connect Mi speakers system (linear loudspeaker) to the Mi TV audio input.

03 Supply TV and Mi speaker system

Supply a TV and Mi speakers system

04 Launching

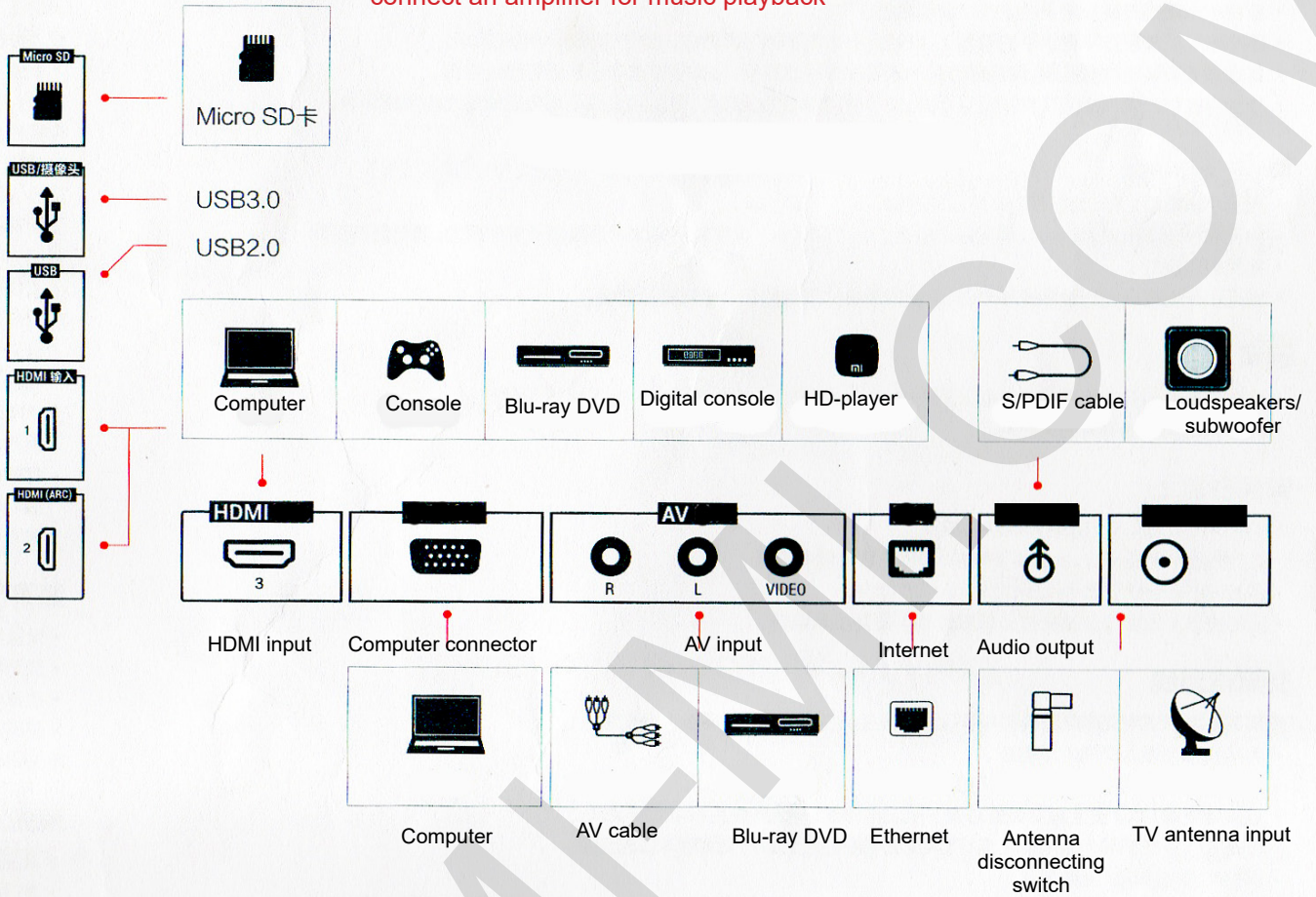
With the first launching use the manual for successful TV setting.



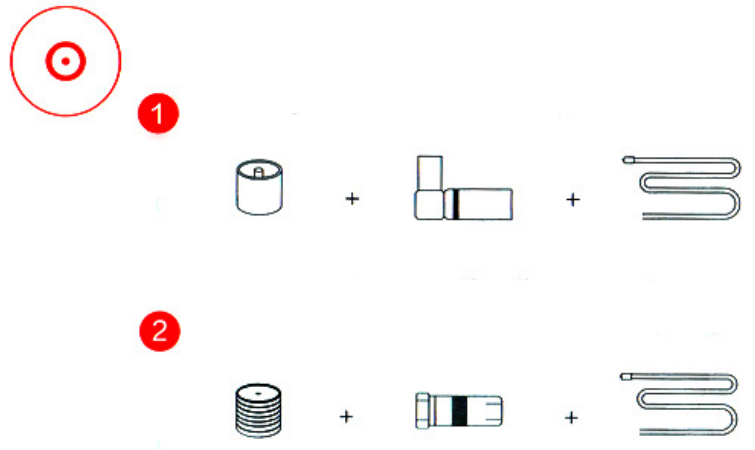
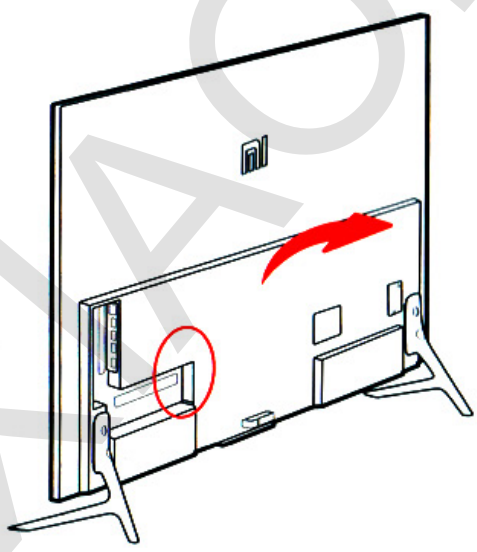
Due the brackets mount select the threaded hole for adjusting screw. If you choose bottom threaded hole you can place the speaker system under the screen (linear loudspeaker), amplifier, DVD and other devices.

First of all supply Mi speakers system (subwoofer), after connect TV and the speakers system (linear loudspeaker).

HDMI: (ARC) with a feedback channel you can connect an amplifier for music playback



When you need to connect wired/wireless input or connect a device for F-input, you can choose appropriate connection method:
 1.IEC input + wireless isolator + coaxial cable
 2.IF input + wireless adapter isolator + coaxial cable



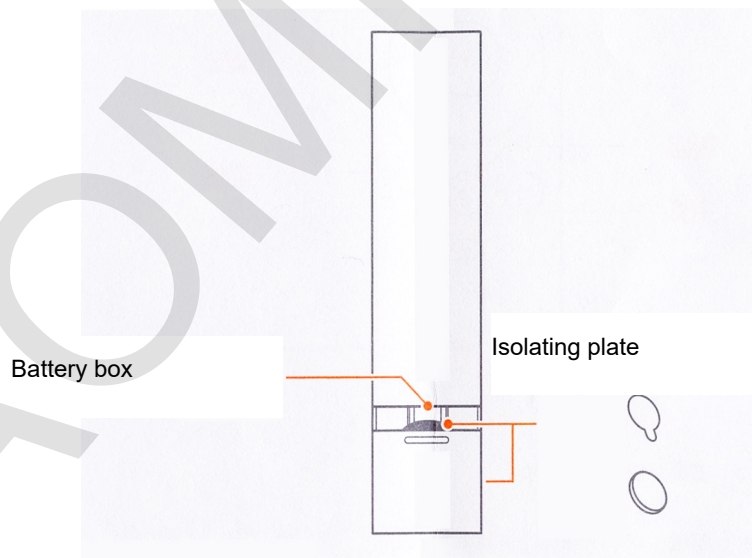
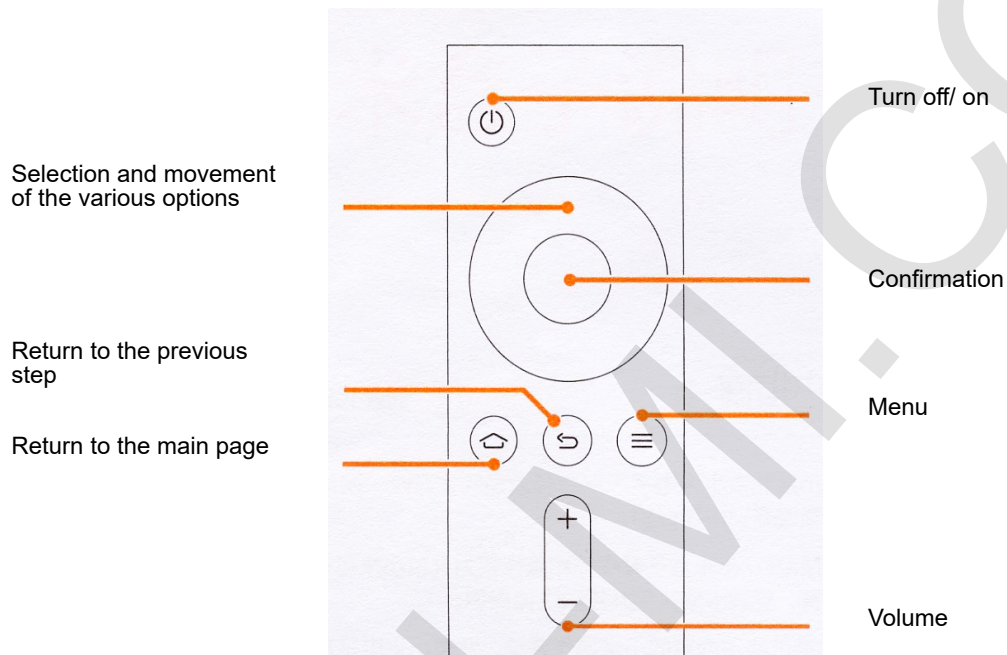
7 Sensor panel control

Launching: supply and touch the sensor panel of Mi TV for launching.

Position: Mi sensor panel located in the bottom of the device.



Functions: touch the panel easily to manage TV functions: remote search.

8 Remote controller



Pay attention on two points

1. First of all you withdraw isolating plate. Push the cover of the battery compartment and put it down. Then take the isolating plate located between batteries and close the cover of the remote controller.

2. TV and remote control. There is a special Bluetooth system, which is valid for 20 meters in the right bottom corner of the TV. Push buttons  and  in the same time and hear the sound, after dismiss the button (follow the signed distance, please) and a remote will contact the TV. Then the remote playbacks two beeps, that means the conjugation is successful.

Power: push the turn-off button, push and hold button for turn-off, reboot or set time of shutdown.

Main page: push the button for quick return on the main page. Push and hold the button for 2 seconds to watch through the list of the valid applications.

Menu: demonstration of the interface and other functions. In the online video interface enter the search, in the interface of files

Choice controller (up, down, left, right). While video watching using this buttons you also can quickly rewind video back and forward.

Choice confirmation: confirm your current choice. While video watching you can pause or playback a video.

Return (undo): returns a previous step.

9 Parameters:

Main parameters:

Screen: 60 inch
Resolution: 3840x2160 (4K)

Main components parameters:

Processor: Cortex A9.4, double channel processor,
Flash memory: 8 Gb flash memory eMMC
Graphic processor: Mali-450 MP4

Ports:

Input: HDMI x3; AV x1; VGA x1, analogue TV (DTMB) x1
Input: analogue audio input.

Interface

Antenna: 2-frequency 2.4 GHz, 5Ghz
Wi-Fi: (802.11 a/b/g/ac, support 2x2 MIMO)

Audio/Video formats:

Audio: FLAC/ AC3/ WMA/ MP3/ AMR/ DTS/ AAC/ OGG
Video: AVC/ MPEG2/4 / H.263, H.265. VP8, COOK
Sound effects: Dolby Audio x2 (steady volume and other control functions)

Multiscreen:

Support image, music and video on the main Millian technology, compatible with Air Play. DLNA, Miracast and WIDI.

3D available

Power

Requirements: rated power 180W
Standby mode <5W
Sound parameters: Crossower 170Hz

Mi speaker system (liner loudspeaker)

Interface S/PDIF port; AUX stereo port; power; Bluetooth
Frequency: range: 170-20000Hz
Components: 2-inch broadband speaker x6, high-frequency speaker x2

Mi speaker system (subwoofer)

Interface: Bluetooth
Frequency range: 20-170Hz
Size: 8-inch