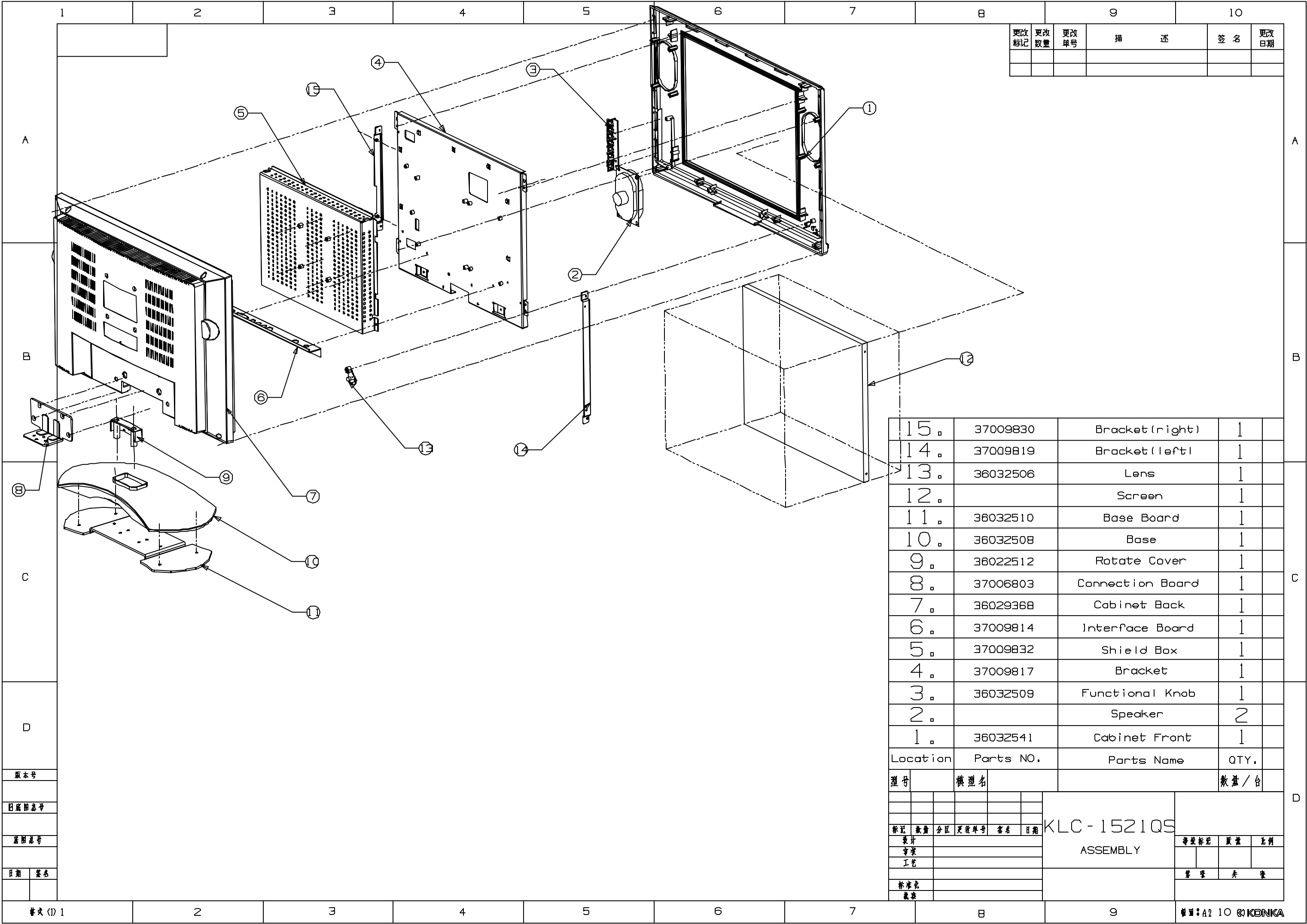


SERVICE MANUAL
ELENBERG LTV-1521



更改标记	更改数量	更改单号	描述	签名	更改日期

15.	37009830	Bracket (right)	1
14.	37009819	Bracket (left)	1
13.	36032506	Lens	1
12.		Screen	1
11.	36032510	Base Board	1
10.	36032508	Base	1
9.	36022512	Rotate Cover	1
8.	37006803	Connection Board	1
7.	36029368	Cabinet Back	1
6.	37009814	Interface Board	1
5.	37009832	Shield Box	1
4.	37009817	Bracket	1
3.	36032509	Functional Knob	1
2.		Speaker	2
1.	36032541	Cabinet Front	1
Location	Parts NO.	Parts Name	QTY.
型号	机型名		数量/台

D	
版本号	
日期图号	
原图号	
日期	签名

标记	数量	分区	更改单号	签名	日期
设计					
审核					
工艺					
标准					
备注					

KLC-1521QS
ASSEMBLY

等级	标准	质量	比例

Spare Parts List (LTV -1521)

Item	Description	QTY	Part №
			(Код ЗЧД=Номер ЗЧД)
1	CABINET FRONT	1	36032541
2	SPEAKER	2	
3	FUNCTIONAL KNOB	1	36032509
4	BRACKET	1	37009817
5	SHIELD BOX	1	37009832
6	INTEFACE BOARD	1	37009814
7	CABINET BACK	1	36029368
8	CONNECTION BOARD	1	37006803
9	ROTATE COVER	1	36022512
10	BASE	1	36032508
11	BASE BOARD	1	36032510
12	SCREEN	1	
13	LENS	1	36032506
14	BRACKET(LEFT)	1	37009819
15	BRACKET(RIGHT)	1	37009830
	REMOTE HANDSET		KK-Y298
	AC POWER JSI-150206(LF)-		34003794
	TUNER AFT1/3100		32001259
	SPEAKER YDT6090N-6rc(8Ω/4W)		29001071
	TOUCH SWITCH KFC-A06-L4-4.5×6.5-4.3B		23000611
	IR REMOTE CONTROL RECEIVER		21000391
	SMD ZENERDIODE BZV55-C/8V2-PHILIPS		16002081
	FUSE 20N-020H/L-2A/250V		27001227
	15"L.C.D SVA150XG04TB		31003232
	MAIN BOARD 090*KLC-1521QS-2-01/00/A		35009717
	KEY BOARD 090*LC-TM1509S01/00/A		35009707
	REMOTE CONTROL RECEIVER BOARD		35009433
	REMOTE CONTRO BOARD 090*Y27401/01-T/A		35009435
	FRONT CABINET200*KLC1521US10/102P		36032541
	BACK CABINET 202*KLC1521US10/102P		36032505
	MODEL PLATE 412*KLC-1521QS10/02-KONKA		36033736
	*FUNCTION BUTTON 291*KLC1521US10/101D		36032509
	*POLYFOAM L 300*KLC1521US10/00		39018938
	*POLYFOAM R 300*KLC1521US20/00		39018943
	*PACKINGBAG310*080080/034R-800X800X0.025		39011083
	*CARTON BOX 510*KLC-1521QS10/03		39020551
	*MANUAL570*KLC-1521QS/02-ENGLISH		39020552
	SOCKET 21 SCART CS-2110VEP		25002363
	VGA SOCKETDP-001-01EP		25002364
	*STEREO JACK CKX-035-114C-01EP		25002362

IMPORTANT SERVICE SAFETY INFORMATION

Operating the receiver outside of its cabinet or with its back removed involves a shock hazard. Work on these models should only be performed by those who are thoroughly familiar with precautions necessary when working on high voltage equipment.

Exercise care when servicing this chassis with power applied. If carelessly contacted, it can cause serious shock or result in damage to the chassis. Maintain interconnecting ground lead connections between chassis, escutcheon, picture tube tag and tuner when operating chassis.

When it is necessary to make measurements or tests with AC power applied to the receiver chassis, an Isolation Transformer must be used as a safety precaution and to prevent possible damage to transistors. The Isolation Transformer should be connected between the TV line cord plug and the AC power outlet.

It is important to maintain specified values of all components and anywhere else in the receiver that could cause a rise in operating supply voltages. No changes should be made to the original design of the receiver.

Components shown in the shaded areas on the schematic diagram and/or identified by in the replacement parts list should be replaced only with exact factory recommended replacement parts. The use of unauthorized substitute parts may create shock, fire, or other hazards.

Before returning the receiver to the user, perform the following safety checks:

1. Inspect all lead dress to make certain that leads are not pinched or that hardware is not lodged between the chassis and other metal parts in the receiver.
2. Replace all protective devices such as non-metallic control knobs, insulating fish papers, cabinet backs, adjustment and compartment covers of shields, isolation resistor-capacitor networks, mechanical insulators etc.
3. To be sure that no shock hazard exists, a check for the presence of leakage current should be made at each exposed metal part having a return path to the chassis (antenna, cabinet metal, screw heads knobs and/or shafts, escutcheon, etc.) in the following manner.

Plug the AC line cord directly into a 110V/220V/240V, AC receptacle. (Do not use an Isolation Transformer during these checks.) All checks must be repeated with the AC line cord plug connection reversed. (If necessary, a non-polarized adapter plug must be used only for the purpose of completing these checks.)

PLEASE READ BEFORE ATTEMPTING SERVICE

1. Use an Isolation Transformer when performing any service on this chassis.
2. Never disconnect any leads while receiver is in operation.
3. Disconnect all power before attempting any repairs.
4. Do not short any position of the circuit while the power is on.
5. For safety reasons, replace components only with identical replacement parts (SEE PARTS LIST).
6. Before alignment, warm up the TV for at least 30 minutes.
7. When removing a PCB or related component, after unfastening or changing a wire, be sure to put the wire back in its original position.
8. Inferior silicon grease can damage IC's and transistors. When replacing IC's and transistors, use only specified silicon grease. Remove all old silicon when applying new silicon.
9. Before removing the anode cap, discharge electricity because it contains high voltage.

A. SPECIFICATION

System : PAL- D/K, I, B/G; SECAM-L/L', B/G, D/K

Channel : 45.25MHz~855.25MHz

IF Frenquency Video: 38.9MHz
 Chroma: 34.47MHz
 Sound: 32.4 MHz (DK)
 33.4MHz (BG)
 32.9 MHz (I)

Audio output power 10%THD 1W×2

Antenna Impedance 75Ω(Unbalance)

Power Consumption 36W

Power Supply : AC~100-240V,50/60Hz

KLC-1521QS

item	Port list
1	RF cable
2	SCART
3	PC VGA input
4	Y、 Pb/Cb、 Pr/Cr
5	Video
6	Audio input
7	Headphone audio output
8	Power port

ADJUSTMENT MANUAL

TEST NOTE

1. Please follow the pointed test steps and choose the right test equipment to conduct adjustment, otherwise good effect of Unit could not be obtained. The unit should be warmed up for 30 minutes before adjustment and every parameter should be adjusted repeatedly till the optimum value obtained, the pointed voltage value should be ensured during test to get satisfied test result.
2. Test environment
 - 1) Temperature 15°C~35°C
 - 2) Relative Humidity 45%~75%
 - 3) Air pressure 86KPa~106KPa
- 3 Test equipments (The following equipment should be calibrated before testing)
 - 1) Computer 1 set
 - 2) Multi-meter (VICTOR VC9801) 1 set
 - 3) Video Signal Generator (Chroma Model 2227/2327) 1 set
 - 4) Color Analyzer (Chroma Model 7120) 1 set
 - 5) DDC card (DYNACOLOR, INC D8330) 1 slice
 - 6) TV Video Signal Generator (FLUKE PM54200) 1 set
- 4 Factory mode adjustment
 - 4.1 Enter factory mode adjustment

Using the remote control, press Menu button once first , then press RECALL button five times, and you can see manufacture menu on the LCD panel.
 - 4.2 Factory menu operation method

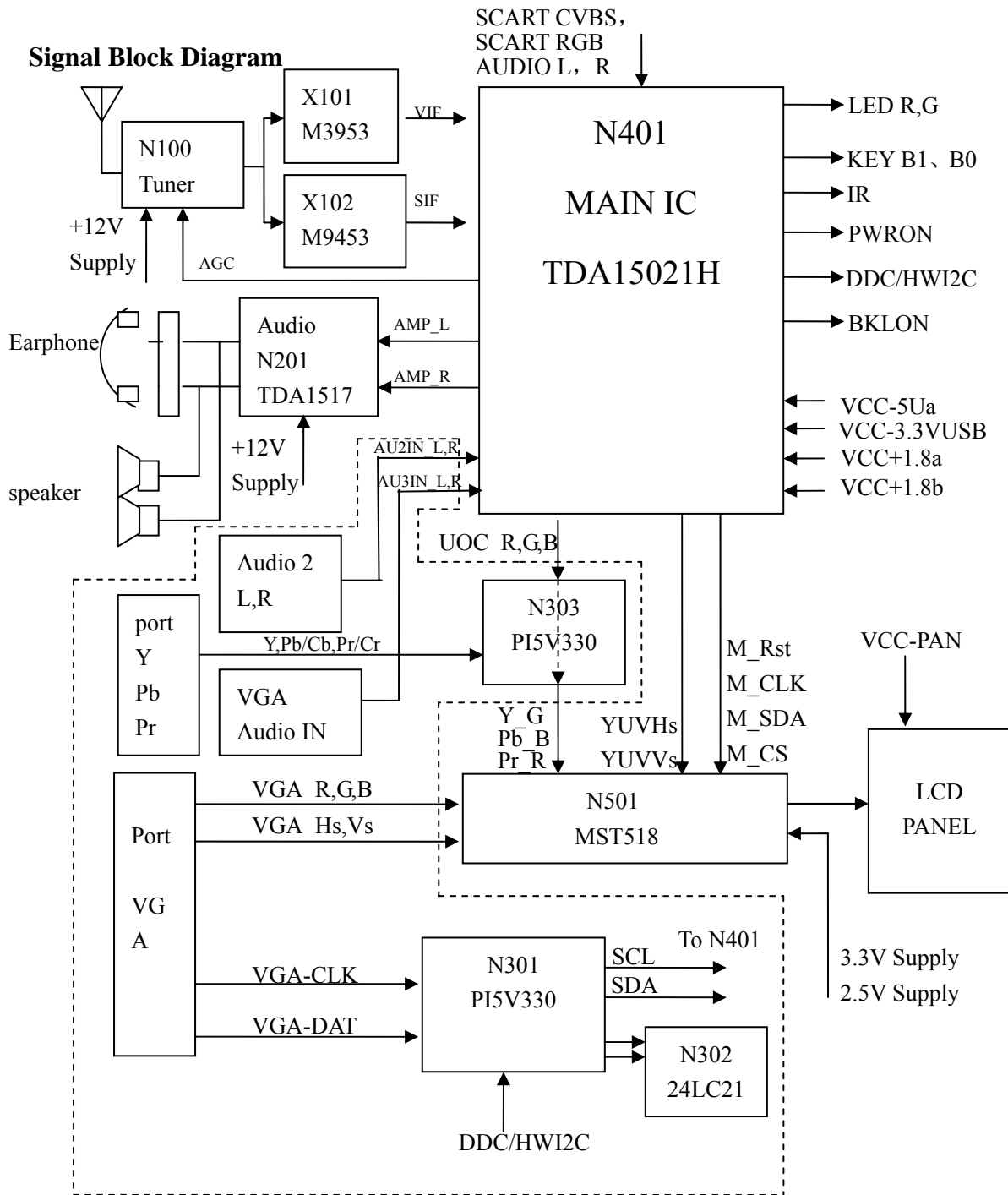
Press the PROG ▲/▼ button to selection the sub menu of factory menu (including F、E、UOCIII、Temp) , and press the VOL ► to enter the sub menu and setting the value.
 - 4.3 Exit the factory menu

Press the MUTE button again and again or turn off the TV, it can exit the factory menu.
 - 4.4 AGC adjustment

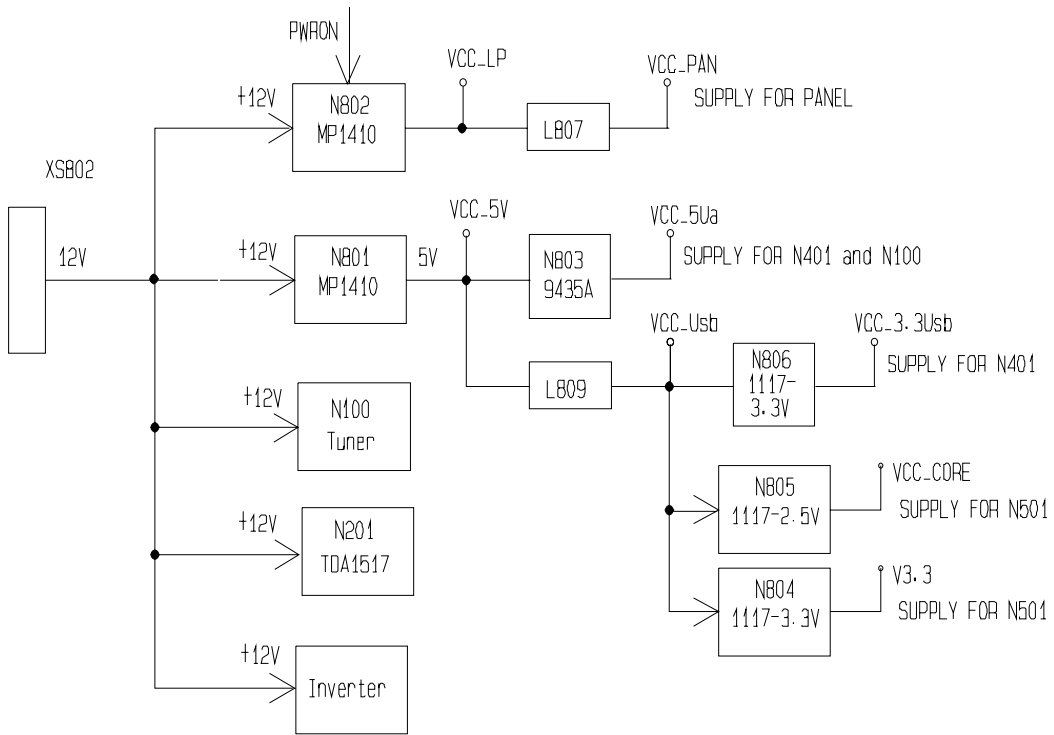
In TV mode, receive 60dB split field signal. Enter factory mode menu “UOCIII” item, press PROG ▲/▼ to select “RF AGC” , then use VOL ◀/▶ to adjust the item until the voltage of Pin 1 of N100 to be about $2.5V \pm 0.2V$, then noise wave of the picture point disappears.
 - 4.5 White calibration adjustment
 - 4.5.1 Receive black or white signal under AV or PC mode, adjusting brightness and contrast to set the brightness to 15Nit in dark area and 90 Nit in bright area.
 - 4.5.2 Adjust white balance. Press MENU button once, then press RECALL button five times to enter factory menu, select “Temp” Menu,

Adjust	Red	0-100
	Green	0-100
	Blue	0-100
 - 4.5.3 Adjusting chromaticity coordinates of black and white to fit the requirement, or plug automatic calibration system to adjust white calibration automatically.

BLOCK DIAGRAM

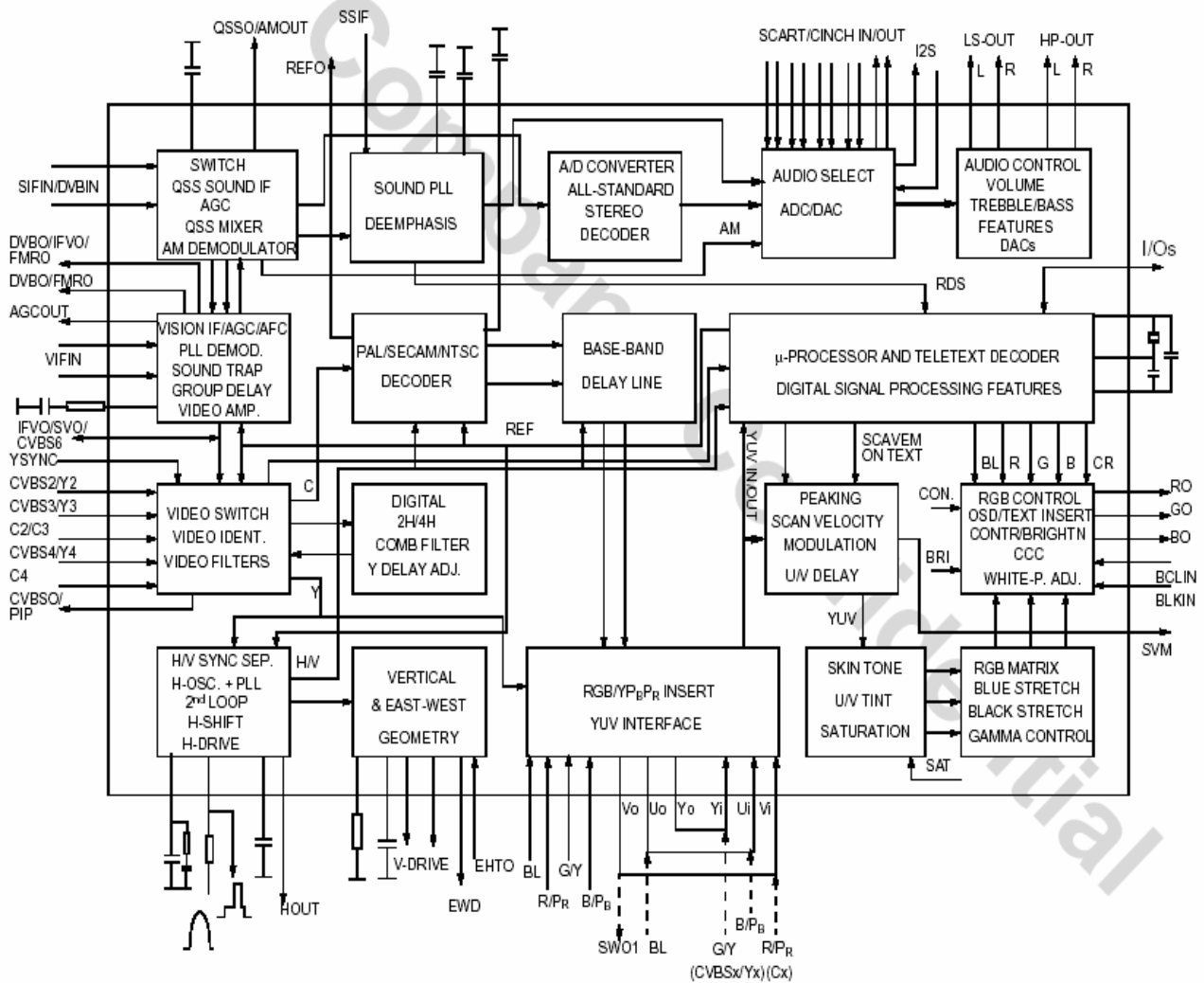


Signal Board Power Digram



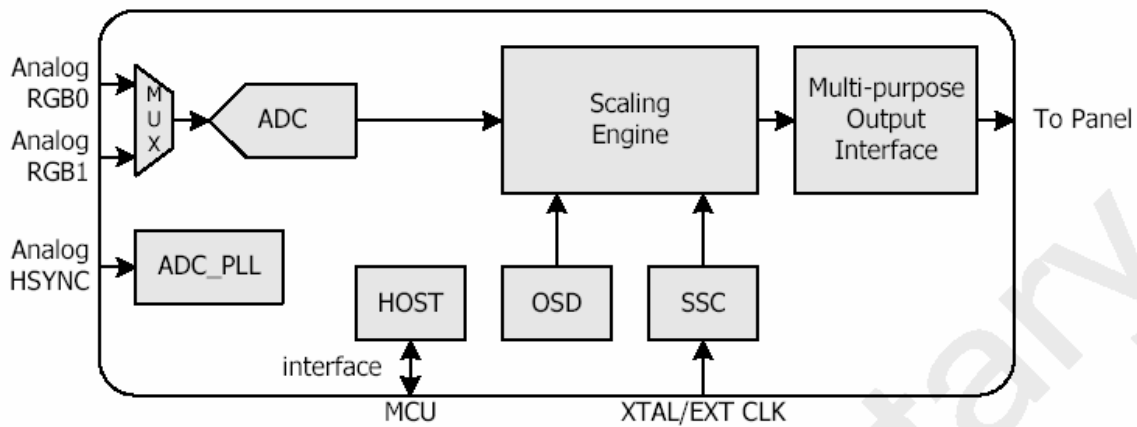
IC BLOCK DIAGRAM

1 N401(TDA15021H1)



2 N501 (MST518)

BLOCK DIAGRAM

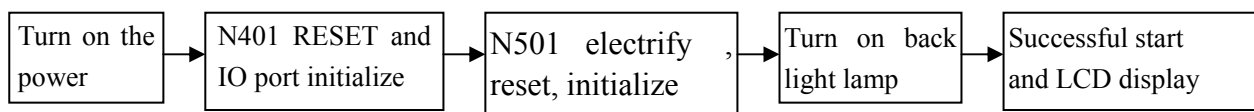


Trouble Shooting

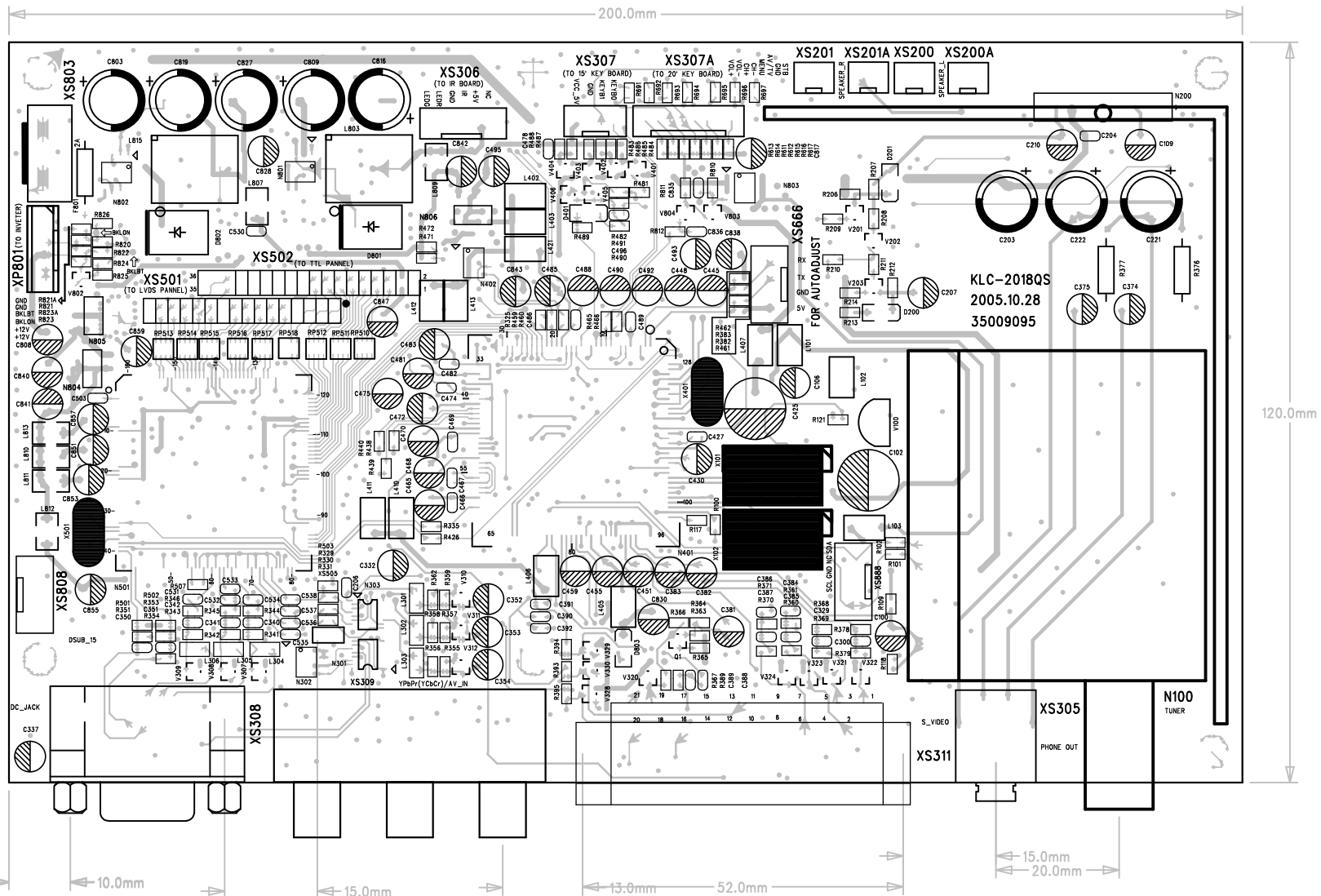
Key IC list

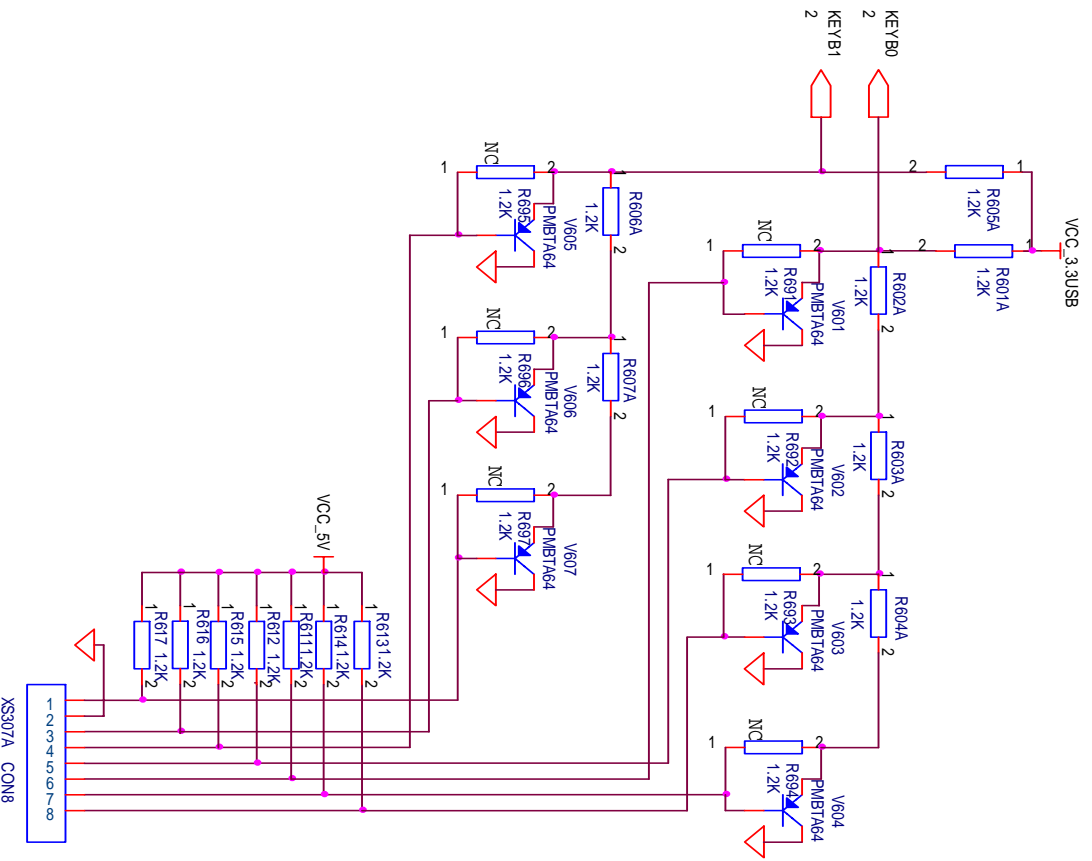
Item	Type	Maker	Package	Circuit No.	Qty.
1	TDA15021H1	Philips	QFP128	N401	1
2	MST518	MSTAR	PQFP160	N501	1
3	24LC32A	MICROCHIP	SOIC-8	N402	1
4	24LC21A	MICROCHIP	SOIC-8	N302	1
5	MP1410ES-SOIC-8	MPS	SOIC-8	N801,N802	2
6	FDS9435A	FAIRCHILD	SOIC-8	N803	1
8	TDA1517	PHILIPS	SIL9MPF	N200	1
9	FSAV330	FAIRCHILD	TSSOP-16	N301	1
	TS5V330	TI			
11	1117-3.3V	BCD	SOT223	N804,N806	2
12	1117-2.5V	AAC	SOT223	N805	1
14	Tuner AFT1/3100G	Qingjia		N100	1

Start order:

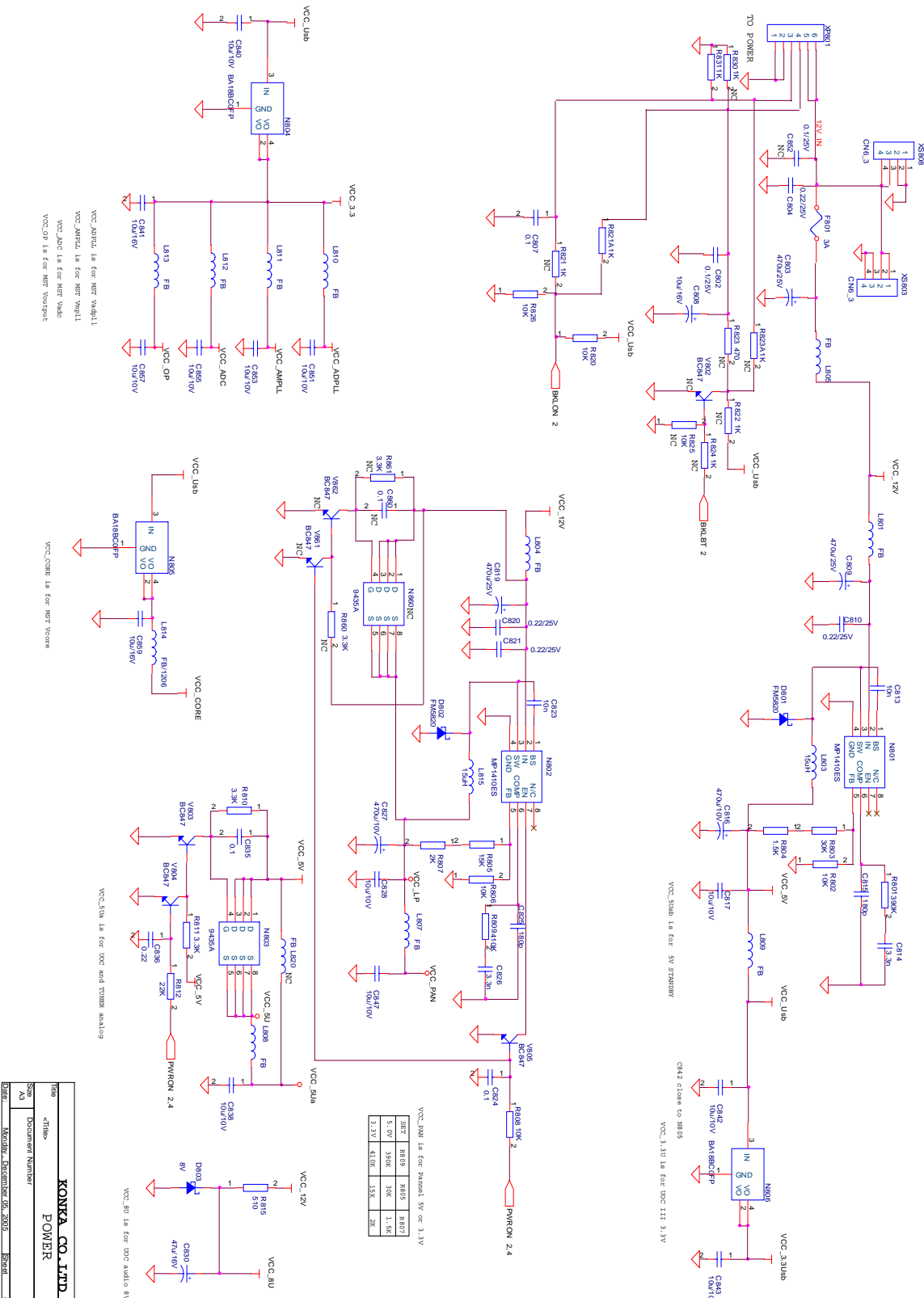


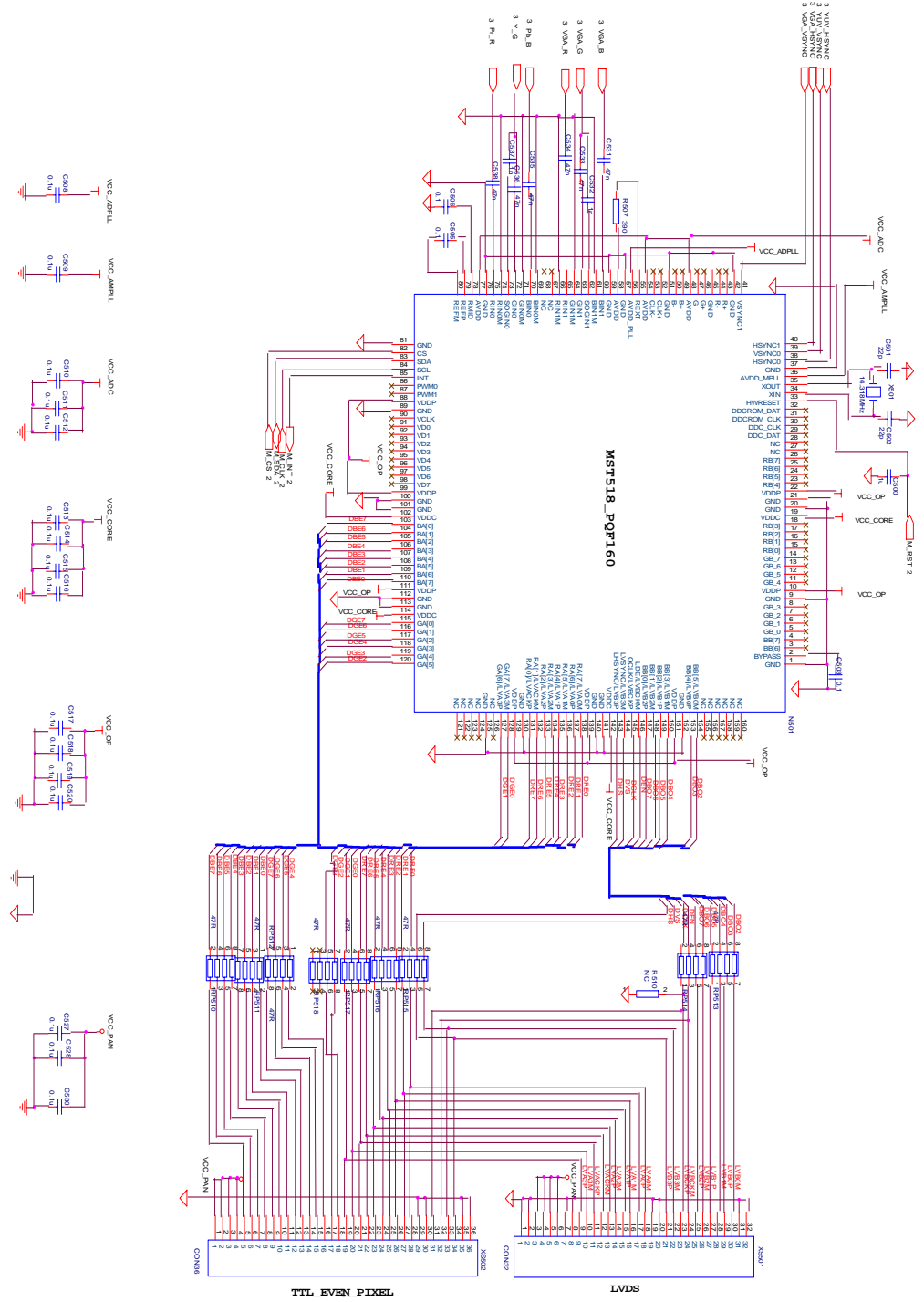
- 1) Verify the state of TV set. Please switch the TV on, then verify the LED color. Red is standby state and green is working state.
- 2) Checking Supply Power. If the color of LED is yellow, the power supply for signal board. N801 supply 5V and N802 supply 3.3V, N804, N806 supply 3.3V power (Test the PIN 2). N805 supply 2.5V (Test the PIN 2), D803 supply 8.3V, V401 and V402 supply 1.8V. All these are for main IC N401, N501.
- 3) After turning on the power, if blank screen appears (no back light lamp), just press POWER button several times, if blank screen still there. Check if the voltage of every power supply is normal.
- 4) Check if the crystal oscillator X501 (14.318180MHz) X401 (24.576MHz) oscillate or not, and oscillate frequency is right or not.
- 5) Back light control signal (BKLON) of XS801 has high level (about 2.5V) or not, if not, check whether fault soldered or short circuit happened.
- 6) If back light lamp is on while there is no display, check N407 and N501's reset circuit and the output of the oscillator to confirm the CPU and SCALER are working or not. If RGB is abnormal, check N501; If RGB is working correctly and the other channel is abnormal, please check N501.



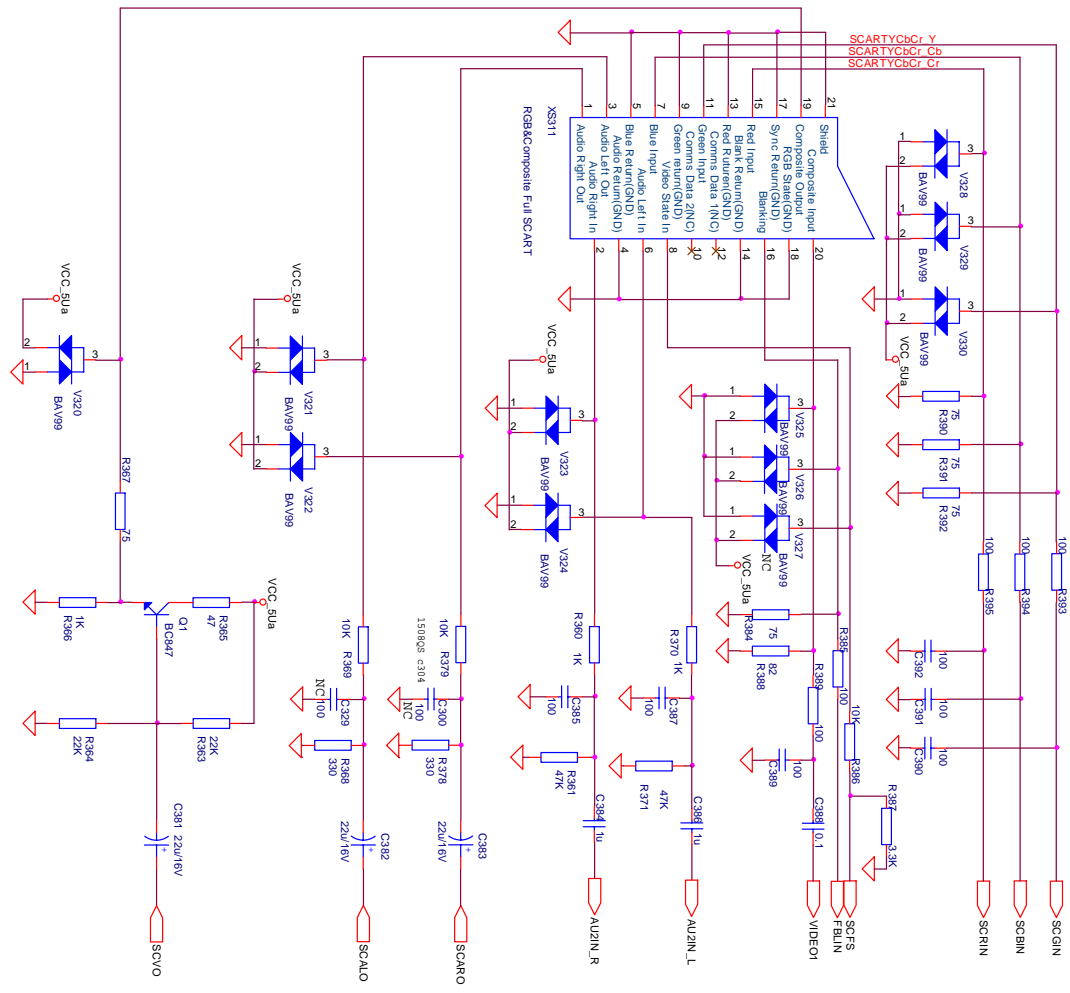


Title		KEY_BOARD
Size	Document Number	Rev
A		<Rev Code>
Date:	Monday, December 05, 2005	Sheet 1 of 1

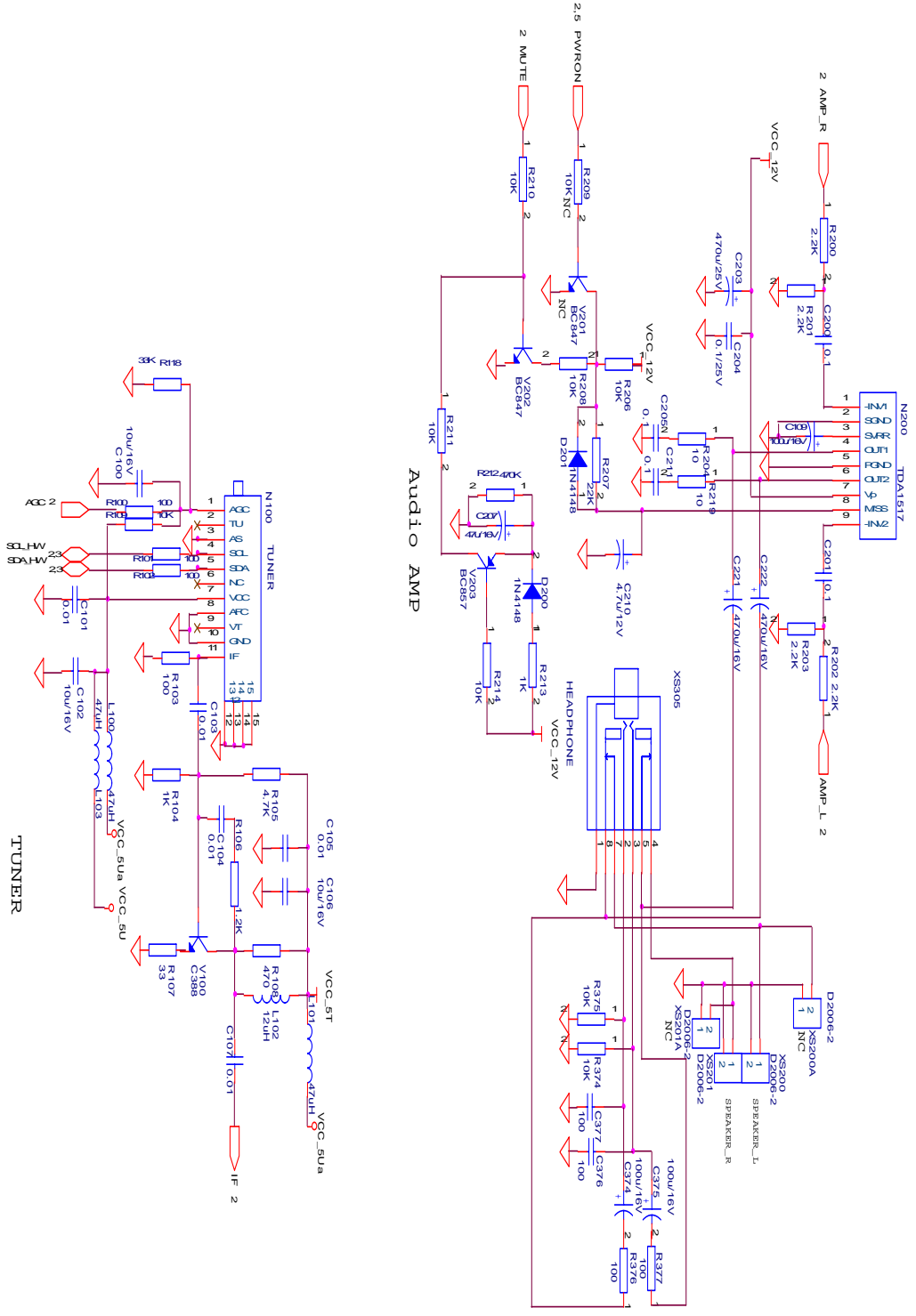




REV	SCALEN_4831918
DOC	Document Number
DATE	Monday, December 14, 2020
TIME	11:05



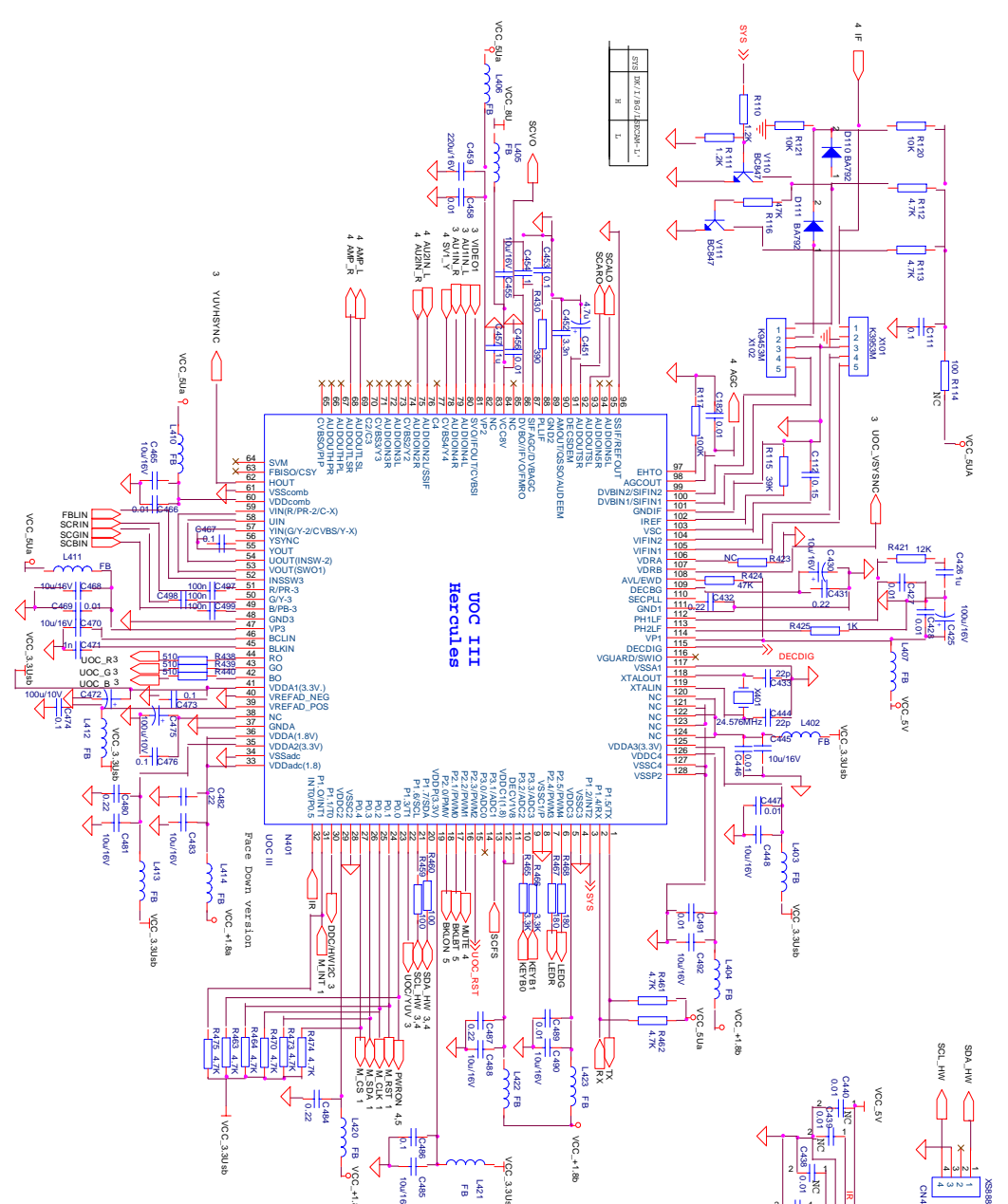
Title		SCART	
Size		B	
Document Number		Rev	
Date:		Monday, December 05, 2005	
Sheet	1	of	1



Audio AMP

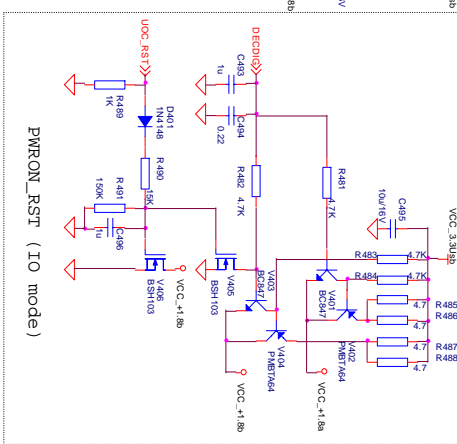
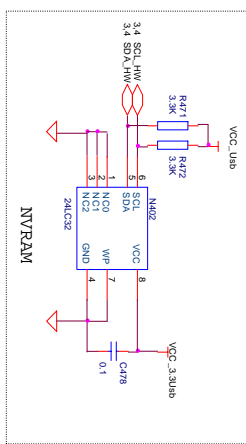
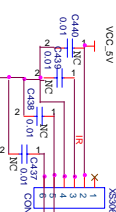
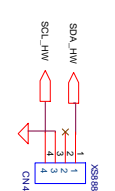
TUNER

Title		KONKA CO. LTD (NDA)	
<Title>		TUNER & AMP	
Size	Document Number	Rev	<Rev>
A3		<Rev>	
Date	Monday, December 05, 2005	Sheet	4 of 5
		Codes	



REF	VALUE	DESCRIPTION
R100	10K	RES
R101	10K	RES
R102	10K	RES
R103	10K	RES
R104	10K	RES
R105	10K	RES
R106	10K	RES
R107	10K	RES
R108	10K	RES
R109	10K	RES
R110	10K	RES
R111	10K	RES
R112	10K	RES
R113	10K	RES
R114	10K	RES
R115	10K	RES
R116	10K	RES
R117	10K	RES
R118	10K	RES
R119	10K	RES
R120	10K	RES
R121	10K	RES
R122	10K	RES
R123	10K	RES
R124	10K	RES
R125	10K	RES
R126	10K	RES
R127	10K	RES
R128	10K	RES
R129	10K	RES
R130	10K	RES
R131	10K	RES
R132	10K	RES
R133	10K	RES
R134	10K	RES
R135	10K	RES
R136	10K	RES
R137	10K	RES
R138	10K	RES
R139	10K	RES
R140	10K	RES
R141	10K	RES
R142	10K	RES
R143	10K	RES
R144	10K	RES
R145	10K	RES
R146	10K	RES
R147	10K	RES
R148	10K	RES
R149	10K	RES
R150	10K	RES
R151	10K	RES
R152	10K	RES
R153	10K	RES
R154	10K	RES
R155	10K	RES
R156	10K	RES
R157	10K	RES
R158	10K	RES
R159	10K	RES
R160	10K	RES
R161	10K	RES
R162	10K	RES
R163	10K	RES
R164	10K	RES
R165	10K	RES
R166	10K	RES
R167	10K	RES
R168	10K	RES
R169	10K	RES
R170	10K	RES
R171	10K	RES
R172	10K	RES
R173	10K	RES
R174	10K	RES
R175	10K	RES
R176	10K	RES
R177	10K	RES
R178	10K	RES
R179	10K	RES
R180	10K	RES
R181	10K	RES
R182	10K	RES
R183	10K	RES
R184	10K	RES
R185	10K	RES
R186	10K	RES
R187	10K	RES
R188	10K	RES
R189	10K	RES
R190	10K	RES
R191	10K	RES
R192	10K	RES
R193	10K	RES
R194	10K	RES
R195	10K	RES
R196	10K	RES
R197	10K	RES
R198	10K	RES
R199	10K	RES
R200	10K	RES
R201	10K	RES
R202	10K	RES
R203	10K	RES
R204	10K	RES
R205	10K	RES
R206	10K	RES
R207	10K	RES
R208	10K	RES
R209	10K	RES
R210	10K	RES
R211	10K	RES
R212	10K	RES
R213	10K	RES
R214	10K	RES
R215	10K	RES
R216	10K	RES
R217	10K	RES
R218	10K	RES
R219	10K	RES
R220	10K	RES
R221	10K	RES
R222	10K	RES
R223	10K	RES
R224	10K	RES
R225	10K	RES
R226	10K	RES
R227	10K	RES
R228	10K	RES
R229	10K	RES
R230	10K	RES
R231	10K	RES
R232	10K	RES
R233	10K	RES
R234	10K	RES
R235	10K	RES
R236	10K	RES
R237	10K	RES
R238	10K	RES
R239	10K	RES
R240	10K	RES
R241	10K	RES
R242	10K	RES
R243	10K	RES
R244	10K	RES
R245	10K	RES
R246	10K	RES
R247	10K	RES
R248	10K	RES
R249	10K	RES
R250	10K	RES
R251	10K	RES
R252	10K	RES
R253	10K	RES
R254	10K	RES
R255	10K	RES
R256	10K	RES
R257	10K	RES
R258	10K	RES
R259	10K	RES
R260	10K	RES
R261	10K	RES
R262	10K	RES
R263	10K	RES
R264	10K	RES
R265	10K	RES
R266	10K	RES
R267	10K	RES
R268	10K	RES
R269	10K	RES
R270	10K	RES
R271	10K	RES
R272	10K	RES
R273	10K	RES
R274	10K	RES
R275	10K	RES
R276	10K	RES
R277	10K	RES
R278	10K	RES
R279	10K	RES
R280	10K	RES
R281	10K	RES
R282	10K	RES
R283	10K	RES
R284	10K	RES
R285	10K	RES
R286	10K	RES
R287	10K	RES
R288	10K	RES
R289	10K	RES
R290	10K	RES
R291	10K	RES
R292	10K	RES
R293	10K	RES
R294	10K	RES
R295	10K	RES
R296	10K	RES
R297	10K	RES
R298	10K	RES
R299	10K	RES
R300	10K	RES
R301	10K	RES
R302	10K	RES
R303	10K	RES
R304	10K	RES
R305	10K	RES
R306	10K	RES
R307	10K	RES
R308	10K	RES
R309	10K	RES
R310	10K	RES
R311	10K	RES
R312	10K	RES
R313	10K	RES
R314	10K	RES
R315	10K	RES
R316	10K	RES
R317	10K	RES
R318	10K	RES
R319	10K	RES
R320	10K	RES
R321	10K	RES
R322	10K	RES
R323	10K	RES
R324	10K	RES
R325	10K	RES
R326	10K	RES
R327	10K	RES
R328	10K	RES
R329	10K	RES
R330	10K	RES
R331	10K	RES
R332	10K	RES
R333	10K	RES
R334	10K	RES
R335	10K	RES
R336	10K	RES
R337	10K	RES
R338	10K	RES
R339	10K	RES
R340	10K	RES
R341	10K	RES
R342	10K	RES
R343	10K	RES
R344	10K	RES
R345	10K	RES
R346	10K	RES
R347	10K	RES
R348	10K	RES
R349	10K	RES
R350	10K	RES
R351	10K	RES
R352	10K	RES
R353	10K	RES
R354	10K	RES
R355	10K	RES
R356	10K	RES
R357	10K	RES
R358	10K	RES
R359	10K	RES
R360	10K	RES
R361	10K	RES
R362	10K	RES
R363	10K	RES
R364	10K	RES
R365	10K	RES
R366	10K	RES
R367	10K	RES
R368	10K	RES
R369	10K	RES
R370	10K	RES
R371	10K	RES
R372	10K	RES
R373	10K	RES
R374	10K	RES
R375	10K	RES
R376	10K	RES
R377	10K	RES
R378	10K	RES
R379	10K	RES
R380	10K	RES
R381	10K	RES
R382	10K	RES
R383	10K	RES
R384	10K	RES
R385	10K	RES
R386	10K	RES
R387	10K	RES
R388	10K	RES
R389	10K	RES
R390	10K	RES
R391	10K	RES
R392	10K	RES
R393	10K	RES
R394	10K	RES
R395	10K	RES
R396	10K	RES
R397	10K	RES
R398	10K	RES
R399	10K	RES
R400	10K	RES

UOC III Hercules

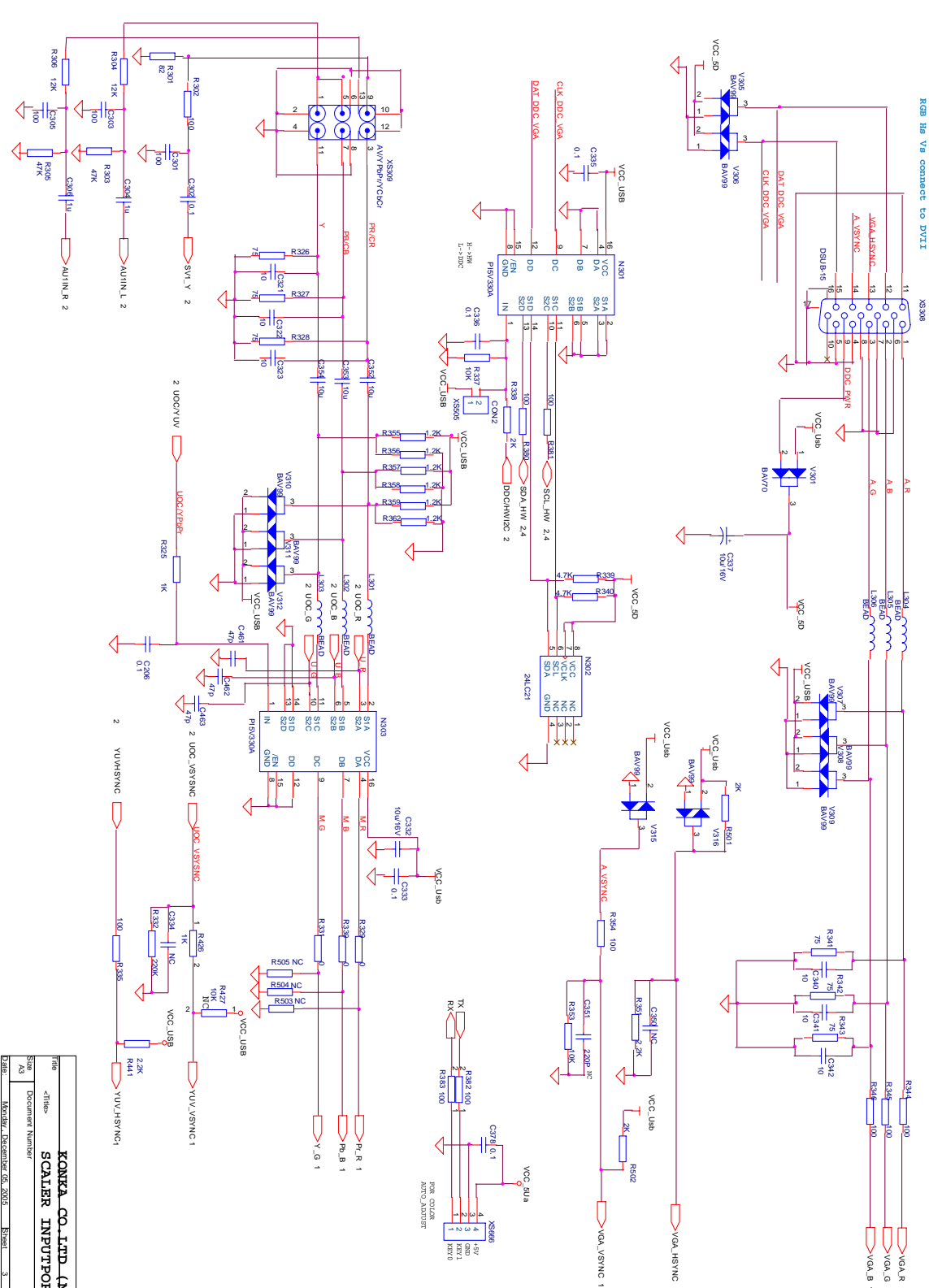


File	<Title>
Sch	UOC III
Doc	Document Number
Rev	1.0

KONKA CO. LTD. (MPL)

UOC III

Doc No.	Doc Name	Rev	Date	By
001	UOC III	1.0	2005-05-20	SHEN



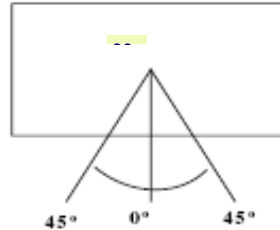
Appendix 1 Приложение 1.

Electrical Outgoing Inspection Specification TFT LCD

Спецификация для электрических проверок ЖК панелей

1. Conditions Условие проведения проверок

- viewing distance** 60 ~ 80 cm
- ambient illumination** 300 ~ 400 Lux (nominal 350 Lux)
- viewing angle** 90 градусов к поверхности панели (45' лево/45'
- display pattern** Pure R, G, B, Black and White
- inspection area** active area



2. Типы Дефектов

Defect Type	Accept
Bright dot Яркий субпиксель (имеет большую яркость чем соседние) a) random случайный b) two adjacent два вместе c) three adjacent три вместе	a) $N \leq 1$ b) $N = 0$ c) $N = 0$
Dark dot Темный субпиксель (имеет чёрный цвет) a) random случайный b) two adjacent два вместе (Fig. 2) c) three adjacent три вместе	a) $N \leq 8$ b) $N \leq 2$ c) $N = 0$
Low dot random Не яркий (имеет яркость такую же как соседние точки/субпиксели либо меньшую) субпиксель, случайный	$N \leq 8$
Minimum distance between defects, (Fig.1)	$L \geq 5mm$



Fig 1.

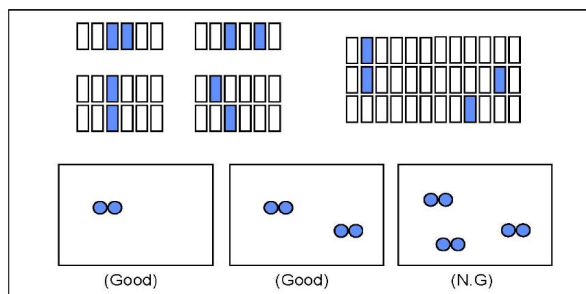
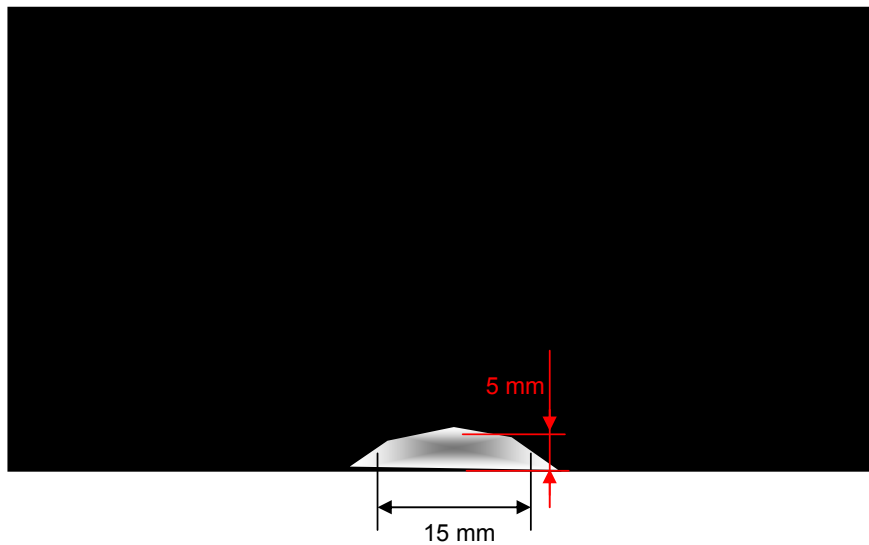


Fig 2.

Внутренние дефекты матрицы.

Пятна яркости.

Допускаются пятна яркости *по краям* экрана размером **не более 20 мм** в длину и **8 мм** в ширину.



Appendix 1 Приложение 1.

Electrical Outgoing Inspection Specification TFT LCD BOE

Спецификация для электрических проверок ЖК панелей

1. Conditions Условие проведения проверок

viewing distance 30 ~ 50 cm

ambient illumination 300 ~ 700 Lux (nominal 500 Lux)

Угол по вертикали $\pm 25^\circ$, по горизонтали $\pm 40^\circ$

viewing angle Vertical viewing angle $\pm 25^\circ$, horizontal viewing angle

Угол обзора (осмотра) $\pm 40^\circ$

display pattern

проверочное изображение Pure R, G, B, Black and White

inspection area

зона проверки



2. Типы Дефектов

Defect Type	Accept
Bright dot Яркий субпиксель (имеет большую яркость чем соседние) a) random случайный b) two adjacent два вместе c) three adjacent три вместе	a) $N \leq 6$ b) $N \leq 2$ c) $N = 0$
Dark dot Темный субпиксель (имеет чёрный цвет) a) random случайный b) two adjacent два вместе (Fig. 2) c) three adjacent три вместе	a) $N \leq 6$ b) $N \leq 2$ c) $N \leq 1$
Dark dot + Bright dot Яркий + темный субпиксель	$N \leq 7$
Low dot random Не яркий (имеет яркость такую же как соседние точки/субпиксели либо меньшую) субпиксель, a) случайный b) two adjacent два вместе c) three adjacent три вместе	a) $N \leq 6$ b) $N \leq 2$ c) $N \leq 1$
Minimum distance between defects, (Fig.1)	$L \geq 5mm$



Fig 1.

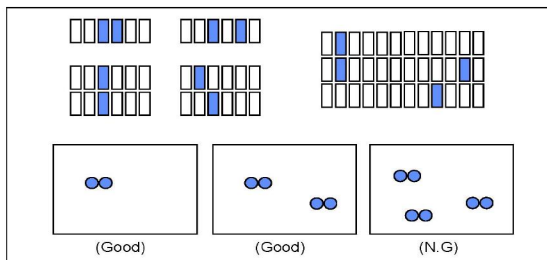


Fig 2.

Внутренние дефекты матрицы.

Пятна яркости.

Допускаются пятна яркости *по краям* экрана размером **не более 20 мм** в длину и **8 мм** в ширину.

