
SERVICE MANUAL

Color Television Receiver

**Model: 1402/2108/21F08/29F08 (Elenberg)
21SL39 (CAMERON)**

SERVICE MANUAL

CONTENTS

I. IMPORTANT SERVICE SAFETY INFORMATION...3
II. ALIGNMENT PROCEDURES PLEASE READ BEFORE ATTEMPTING SERVICE...	5
III. TV SPECIFICATION.....5
IV. TV ADJUSTMENT	7
V. IC INFORMATION.....12
1. PHILIPS UOCIII CHIP (N603)	12
2. SWITCH POWER IC (N901)	41
3. VERTICAL DEFLECTION BOOSTER (N401)	45
4. AUDIO POWER AMPLIFIER (N202)	52
5. EEPROM 24C16 (N602)	55
VI. TV BLOCK DIAGRAM	59
Appendix 1: Schematic Circuit Diagram	61
Appendix 2: PCB Layout Diagram	61
Appendix 3: Exploded Views	61

IMPORTANT SERVICE SAFETY INFORMATION

Operating the receiver outside of its cabinet or with its back removed involves a shock hazard. Work on these models should only be performed by those who are thoroughly familiar with precautions necessary when working on high voltage equipment.

Exercise care when servicing this chassis with power applied. Many B plus and high voltage RF terminals are exposed which, if carelessly contacted, can cause serious shock or result in damage to the chassis. Maintain interconnecting ground lead connections between chassis, escutcheon, picture tube dag and tuner when operating chassis.

These receivers have a “polarized” AC line cord. The AC plug is designed to fit into standard AC outlets in one direction only. The wide blade connects to the “ground side” and the narrow blade connects to the hot “side” of the AC line. This assures that the TV receiver is properly grounded to the house wiring. If an extension cord must be used, make sure it is of the “polarized” type.

Since the chassis of this receive is connected to one side of the AC supply during operation, service should not be attempted by anyone not familiar with the precautions necessary when working on these types of equipment.

When it is necessary to make measurements or tests with AC power applied to the receiver chassis, an Isolation Transformer must be used as a safety precaution and to prevent possible damage to transistors. The Isolation Transformer should be connected between the TV line cord plug and the AC power outlet.

Certain High voltage (HV) maybe cause X-ray radiation. Receivers should not be operated with HV levels exceeding the specified rating for their chassis type. Higher voltage may also increase the possibility of failure in the HV supply.

It is important to maintain specified values of all components in the horizontal and high voltage circuits and anywhere else in the receive that could cause a rise in high voltage, or operating supply voltages. No changes should be made the original design of the receiver.

Components shown in the shaded areas on the schematic diagram and/or identified by in the replacement parts list should be replaced only with exact factory recommended replacement parts. The use of unauthorized substitute parts man creats may create shock, fire, X-ray radiation, or other hazards.

To determine the presence of high voltage, use an accurate high impedance HV meter connected between the second anode lead and he CRT dag grounding device. When servicing the

SERVICE MANUAL

High Voltage System remove static charges from it by connecting a 10K Ohm resistor in series with an insulated wire (such as test probe) between the picture tube tag and 2nd anode lead (Have AC line cord disconnected from AC supply).

The picture tube used in this receiver employs integral implosion protection. Replace with a tube of the same type number for continued safety. Do not lift picture tube by the neck. Handle the picture tube only when wearing shatterproof goggles and after discharging the high voltage completely. Keep others without shatter proof goggles away.

Before returning the receiver to the user, perform the following safety checks:

1. Inspect all lead dress to make certain that leads are not pinched or that hardware is not lodged between the chassis and other metal parts in the receiver.

2. Replace all protective devices such as non-metallic control knobs, insulating fish-papers, cabinet backs, adjustment and compartment covers of shields, isolation resistor-capacitor networks, mechanical insulators etc.

3. To be sure that no shock hazard exists, a check for the presence of leakage current should be made at each exposed metal part having a return path to the chassis (antenna, cabinet metal, screw heads knobs and/or shafts, escutcheon, etc.) in the following manner.

Plug the AC line cord directly into a 110V/240V (or 180V/240V), AC receptacle. (Do not use an Isolation Transformer during these checks.) All checks must be repeated with the AC line cord plug connection reversed. (If necessary, a non-polarized adapter plug must be used only for the purpose of completing these checks.)

If available, measure the current using an accurate leakage current tester. Any reading of 0.35mA or more is excessive and indicates a potential shock hazard which must be corrected before returning the receiver to owner.

If a reliable leakage current tester is not available, this alternate method of measurement should be used. Using two clip leads, connect a 1500 Ohm, 10 watt resistor paralleled by a 0.15MF capacitor in series with a known earth ground, such as a water pipe or conduit and the metal part to be checked. Use a VTVM or VOM with 1000 Ohms per Volt, or higher, sensitivity to measure this AC voltage drop across the resistor. Any reading of 0.35 volt RMS or more is excessive and indicates potential shock hazard which must be corrected before returning the receiver to the owner.

ALIGNMENT PROCEDURES PLEASE READ BEFORE ATTEMPTING SERVICE

1. Use an Isolation Transformer when performing any service on this chassis.
2. Never disconnect any leads while receiver is in operation.
3. Disconnect all power before attempting an repairs.
4. Do not short any position of the circuit while the power is on.
5. For safety reasons, replacing any components should be according with identical replacement parts.
6. Before testing, warm up the TV for at least 30 minutes and demagnetize the CRT with an external degaussing coil.
7. When removing a PCB or related component, after unfastening or changing a wire, be sure to put the wire back in its original position.
8. Inferior silicon grease can damage IC's and transistors. When replacing IC's and transistors, use only specified silicon grease,. Remove all old silicon when applying new silicon.
9. Before removing the anode cap, discharge drastically because it contains high voltage.

TV SPECIFICATION

1. Ambient Conditions:

1.1 Ambient Temperatures:

a. Operating: -10 ~ +40 °C

b. Storage: -15 ~ +45 °C

1.2 Humidity

a. Operation: <80%

b. Storage: <90%

1.3 Air Pressure: 86kpa ~ 106kpa

2. General Specification

2.1 Main IC: PHILIPS UOCIII CHIP (TDA12060 or TDA12062)

2.2 TV Broadcasting System:

PAL DK/BG/I

SECAM DK/BG

2.3 Scanning Lines & Frequencies

525 lines/60Hz or 625 lines/50Hz

15.75KHz/15.625KHz

2.4 Color Sub-Carrier: 4.433MHz/3.579MHz

2.5 IF: Picture 38.9MHz Sound 5.5/6.5MHz

2.6 Power Consumption: 1402: 70W;

2108/21F08/21SL39: 75W

29F08: 150W

2.7 Power Supply: AC 110-240V 50Hz±10%

2.8 Audio Output Power (7%THD): 1402: 1W X 2;

2108/21F08: 1.5W X 2;

21SL39: 2W X 2;

29F08: 4W X 2.

2.9 Aerial Input Impedance: 75 Ω Unbalanced Din Jack Ant. Input

3. Basic Features of Controller

3.1 Channel Tuning Method: Frequency Synthesizer

3.2 Presetable Program: 240 Programs

3.3 Tuning for VHF and UHF Bands: Auto Tuning/Manual Tuning

3.4 Picture and Sound Adjustment

Bright, Contrast, Color, Sharpness Control and Color Temperature Adjustment

TINT Control (NTSC only)

Volume Control (More controls can do in TV Model 21SL39 and 29F08)

3.5 OSD

General Features (Volume, Brightness, Contrast, Color, Program, Band, Auto Search, Manual Tune, Muting, AV/TV, Child Lock and Sleep Timer)

AV Stereo in Model 21SL39 and 29F08

Russia and English Language

3.6 Sleep Timer: 5 -120 Minutes with 5 Minutes Increment

3.7 Auto Standby When No Broadcasting Signal: 5 minutes

3.8 Full Function Infrared Remote Control

3.9 Remote Effective Distance: 8m

4. Construction of Front Panel

Main Power Switch

Remote Sensor

Standby Indicator

Menu Select

TV/AV Select

Program and Volume Up/Down

5. TV's Terminals

75 Ω Aerial Terminal

2 AV Inputs (TV Model 1402/2108/21F08)

3 AV Inputs (TV Model 21SL39/29F08)

1 S-Video Input (TV Model 21SL39/29F08)

1 Y/U/V Input (TV Model 21SL39/29F08)

1 AV Output

6. Other Informations

6.1 Magnetic Field: $B_v = 0.3 \sim 0.65$ Gs

6.2 Standard Colour Temperature: 9300K (X = 0.284, Y = 0.299)

TV ADJUSTMENT

Test Equipment

1. Oscilloscope
2. Multifunction meter (Internal resistance: DC \geq 20k Ω /V AC \geq 5k Ω /V)
3. High voltmeter: 35kV
4. Standard Signal Generator
5. Degaussing coil

Factory menu

Some adjustments must be performed in the Factory menu. You can enter the Factory menu in the following way:

1. Press the MENU button on the remote control then press the Q.VIEW button on the remote control at least 5 times immediately.
2. Press the MENU buttons to select the desired Factory menu pages or press 0-9 number buttons to enter the Factory menu pages directly and then press the PROG.+/- buttons to select the desired items.
3. Press the VOL+/- buttons to change the settings.

B+ Adjustment

Test Equipment: Multifunction meter

1. Operate the TV set with AC 110-240V(50/60Hz).
2. Receive Television broadcast signal, set PICTURE to Normal mode.
2. Connect the multifunction meter + lead to C960 and GND. Adjust the RP950 until the meter reading the proper DC value (model 1402/2108/21F08: B+=107±0.5Vdc; model 21SL39: B+=115±0.5Vdc; model 29F08: B+=135±0.5Vdc).

High voltage check and filament voltage check

Test Equipment: High voltmeter

1. Make sure AC power supply and +B are within pointed range before calibrating high voltage.
2. Connect high voltmeter to anode (G4) of CRT.
3. Turn on the TV, set the BRIGHTNESS and CONTRAST to the minimum (zero beam current), swap to AV mode (No any signal applied).
4. High voltage please see the related model BOM.
5. Filament voltage measured by virtual value meter please see the related model BOM, usually within the range of 6.3±0.2Vrms.

Grid voltage adjustment

SERVICE MANUAL

- V. LINEARITY** 50 (60) XX Adjust vertical linear.
- VERT ZOOM** 50(60) 25 Adjust vertical amplitude (fixed value 25) .
2. Call up FAC1
- EW WIDTH** 50 (60) XX Adjust it so that the picture horizontal reproduction display ratio is more than 92% (H- size adjustment).
- HOR.SHIFT** 50 (60) XX Adjust it so that the left half is symmetrical with the right half (H. CEN correction).
- EW PARABOLA** 50 (60) XX Adjust it so that parallelogram will be transformed to rectangle or trapezium (Receive cross hatch signal)(Parallelogram correction).
- TRAPEZIUM** 50 (60) XX Adjust it so that trapezium distortion is just disappeared (Receive cross hatch signal)(Trapezium).
- UC PARABOLA** 50(60) XX Adjust it so that upper corner (left and right) vertical line are straight line (Receive cross hatch signal)(Upper corner pincushion).
- LC PARABOLA** 50 (60) XX Adjust it so that bottom corner (left and right) vertical line are straight line (Receive cross hatch signal)(Bottom correction pincushion).
- HOR.BOW** 50 (60) XX Adjust it so that vertical line is the straight line.(Receive cross hatch signal) (Bow correction).
- PARALLEL** 50 (60) XX Adjust it so that left and right line are straight lines (Pincushion correction).

White balance adjustment (PAL or SECAM signal)

1. Enter into menu firstly and set COLOR mode to normal.(9300K)
2. Enter into AV mode and receive left black right white signal which with color sync signal.
3. Plug XS805, adjust it automatically with white balance adjustment software, enter into factory menu when adjustment is OK, then enter into FAC 6、 FAC 7、 FAC 8 menu to check the following data are consistent with data in computer.

Standard: Color temperature 9300K (X=0.284 Y=0.299) FAC 6

Cold color: Color temperature 12000K (X=0.272 Y=0.279) FAC 8

SERVICE MANUAL

Warm color: Color temperature 6500K (X=0.313 Y=0.329) FAC 7

FAC 6 ADJ content X=0.284 Y=0.299	value	FAC 7 ADJ Content X=0.313 Y=0.329	value	FAC 8 ADJ Content X=0.272 Y=0.279	value
BLOR-N	xx	BLOR-W	xx	BLOR-C	xx
BLOG-N	xx	BLOG-W	xx	BLOG-C	xx
WPR-N	xx	WPR-W	xx	WPR-C	xx
WPR-N	xx	WPG-W	xx	WPG-C	xx
WPR-N	xx	WPB-W	xx	WPB-C	xx

Other factory menu data

Factory menu	Item	TV Model			
		2108 21F08	1402	21SL39	29F08
Factory adjustment4	TXT-ON	0	0	0	0
	Teletext lang	0	0	0	0
	Teletext E/W	0	0	0	0
	Track. Mode	0	0	0	0
	Sub Brightness	25	25	25	25
Factory adjustment5	Main YVolume1	22	22	22	22
	Main YVolume2	44	44	44	44
	Main YVolume3	58	58	58	58
	Main XVolume1	22	22	22	22
	Main XVolume2	44	44	44	44
Factory adjustment6	Max Brightness	47	47	47	47
	Max Contrast	63	63	63	63
	Max Colour	47	47	47	47
Factory adjustment7	RGB	10	10	10	10
	CL	4	2	4	8
Factory adjustment9	RGB-IN	0	0	0	0
	DVD1-IN	0	0	1	1
	AV2-IN	0	0	1	1
	AV3-IN	1	1	1	1
	AV1S-IN	0	0	1	1
	CBVS-OUT	1	1	1	1

SERVICE MANUAL

Factory adjustment10	IF	3	3	3	3
	TUNER	0	0	0	0
	HIGH GAIN	0	0	0	0
	QSS	0	0	0	0
	SECAM L	0	0	0	0
	NTSC M	0	0	0	0
Factory adjustment11	French Frequency	0	0	0	0
	Russia Frequency	0	0	0	0
	Italy Frequency	0	0	0	0
	Spain Frequency	0	0	0	0
	Turkey Frequency	0	0	0	0
	German Frequency	0	0	0	0
	Poland Frequency	0	0	0	0
Factory adjustment12	OP Dyn.skin tone	0	0	0	0
	OP TRUSUR	0	0	0	0
	OP Rotation	0	0	0	0
	OP EQUAL	0	0	1	1
	OP AUDIO CONFIG	0	0	1	1
	OP BILING	0	0	0	0
Factory adjustment13	Blackstretch	0	0	0	0
	Bluestretch	0	0	0	0
	HORIZONTAL OFFSET	12	12	12	12
Factory adjustment14	TIM-REM	1	1	1	1
	TIM-SLP	1	1	1	1
	PWR-REST	1	1	1	1
	PWR-ONKEY	1	1	1	1

IC INFORMATION

1. PHILIPS UOCIII CHIP (N603)

In this section mainly describe two ICs: TDA12060 and TDA12062. the TDA12060 is a AV Stereo without audio DSP chip, but the TDA12062 is a AV Stereo with audio DSP chip.

1.1 General description

The UOCIII series combines the functions of a Video Signal Processor (VSP) together with a

FLASH embedded TEXT/Control/Graphics -Controller (TCG -Controller) and US Closed Caption decoder. In addition the following functions can be added:

- Adaptive digital (4H/2H) PAL/NTSC comb filter
- Teletext decoder with 10 or 100 page text memory
- Multi-standard stereo decoder
- BTSC stereo decoder
- Digital sound processing circuit
- Digital video processing circuit

The UOCIII series consists of the following 3 basic concepts:

- Stereo versions. These versions contain the TV processor with a stereo audio selector, the TCG -Controller, the multi-standard stereo or BTSC decoder, the digital sound processing circuit and the digital video processing circuit. Options are the adaptive digital PAL/NTSC comb filter and a teletext decoder with 10 or 100 page text memory.
- AV stereo versions. These versions contain the TV processor with stereo audio selector and the TCG -Controller. Options are the digital sound processing circuit, the digital video processing circuit, the adaptive digital PAL/NTSC comb filter and a teletext decoder with a 10 page text memory.
- Mono sound versions. These versions contain the TV processor with a selector for mono audio signals and the TCG -Controller. Options are the adaptive digital PAL/NTSC combfilter and a teletext decoder with 10 page text memory.

The ICs are mounted in a QFP-128 package and can be used in economy television receivers with 90 . and 110 . picture tubes. The package is according to the ROHS legislation, which also means that the package is lead-free. The ICs have supply voltages of 5V, 3.3V. Also an 1.8V supply is needed, but this can be simply derived by adding an emitter follower at a reference voltage from the device.

1.2 Features

1.2.1 Analogue Video Processing

- * Multi-standard vision IF circuit with alignment-free PLL demodulator
- * Internal (switchable) time-constant for the IF-AGC circuit
- * Switchable group delay correction and sound trap (with switchable centre frequency) for the

SERVICE MANUAL

demodulated CVBS signal

- * DVB/VSB IF circuit for preprocessing of digital TV signals.
- * Video switch with 3 external CVBS inputs and a CVBS output. All CVBS inputs can be used as Y-input for Y/C signals. However, only 2 Y/C sources can be selected because the circuit has 2 chroma inputs. It is possible to add an additional CVBS(Y)/C input (CVBS/YX and CX) when the YUV interface and the RGB/YPBPR input are not needed. It is also possible to insert a CVBS/Y signal at the SVO/IFVOUT output.
- * Automatic Y/C signal detector
- * Integrated luminance delay line with adjustable delay time
- * Picture improvement features with peaking (with switchable centre frequency, depeaking, variable positive/negative peak ratio, variable pre-/overshoot ratio and video dependent coring), dynamic skin tone control, gamma control and blue- and black stretching. All features are available for CVBS, Y/C and RGB/YPBPR signals.
- * The effect of the various features can be demonstrated by means of a 'split screen' mode in which the features are activated in one half of the picture and switched off in the other half
- * Switchable DC transfer ratio for the luminance signal
- * Only one reference (24.576 MHz) crystal required for the TCG -Controller, and the colour decoder
- * Multi-standard colour decoder with automatic search system and various "forced mode" possibilities
- * Internal base-band delay line
- * Indication of the Signal-to-Noise ratio of the incoming CVBS signal
- * Linear RGB/YPBPR input with fast insertion.
- * YUV interface. When this feature is not required some pins can be used as additional RGB/YPBPR input. It is also possible to use these pins for additional CVBS (or Y/C) input (CVBS/YX and CX).
- * Tint control for external RGB/YPBPR signals
- * Scan Velocity Modulation output. The SVM circuit is active for all the incoming CVBS, Y/C and RGB/YPBPR signals.
- * RGB control circuit with 'Continuous Cathode Calibration', white point and black level off-set adjustment so that the colour temperature of the dark and the light parts of the screen can be chosen

independently.

- * Contrast reduction possibility during mixed-mode of OSD
- * Adjustable 'wide blanking' of the RGB outputs
- * Horizontal synchronization with two control loops and alignment-free horizontal oscillator
- * Vertical count-down circuit
- * Vertical driver optimized for DC-coupled vertical output stages
- * Horizontal and vertical geometry processing with horizontal parallelogram and bow correction and horizontal and vertical zoom
- * Low-power start-up of the horizontal drive circuit

1.2.2 Sound Demodulation

- * Separate SIF (Sound IF) input for single reference QSS (Quasi Split Sound) demodulation.
- * AM demodulator without extra reference circuit
- * The mono intercarrier sound circuit has a selective FM-PLL demodulator which can be switched to the different FM sound frequencies (4.5/5.5/6.0/6.5 MHz). The quality of this system is such that the external band-pass filters can be omitted. I
- * The FM-PLL demodulator can be set to centre frequencies of 4.72/5.74 MHz so that a second sound channel can be demodulated. In such an application it is necessary that an external bandpass filter is inserted.
- * The vision IF and mono intercarrier sound circuit can be used for the demodulation of FM radio signals. With an external FM tuner also signals with an IF frequency of 10.7 MHz can be demodulated.
- * Switch to select between 2nd SIF from QSS demodulation or external FM (SSIF).

1.2.3 Audio Interfaces and switching

- * Audio switch circuit with 4 stereo inputs, a stereo output for SCART/CINCH and a stereo SPEAKER output with independent L&R analogue volume control.
- * Analogue mono AVL circuit at left audio channel

1.2.4 -Controller

- * 80C51 -controller core standard instruction set and timing
- * 0.4883 s machine cycle

- * maximum of 256k x 8-bit flash programmable ROM
- * maximum of 8k x 8-bit Auxiliary RAM
- * 12-level Interrupt controller for individual enable/disable with two level priority
- * Two 16-bit Timer/Counter registers
- * One 24-bit Timer (16-bit timer with 8-bit Pre-scaler)
- * Watch Dog timer
- * Auxiliary RAM page pointer
- * 16-bit Data pointer
- * Stand-by, Idle and Power Down modes
- * 24 general-purpose I/O pins
- * 14 bits PWM for Voltage Synthesis Tuning
- * 8-bit A/D converter with 4 multiplexed inputs
- * 5 PWM (6-bits) outputs for analogue control functions
- * I2C byte level bus interface.
- * Remote Control Pre-processor (RCP)
- * Universal Asynchronous Receiver Transmitter (UART)

1.2.5 Display

- * 50Hz/60Hz display timing modes
- * Two page operation for 16:9 screens
- * Serial and Parallel Display Attributes
- * Single/Double/Quadruple Width and Height for characters
- * Smoothing capability of both Double Size, Double Width & Double Height characters
- * Scrolling of display region
- * Variable flash rate controlled by software
- * Soft colours using CLUT with 4096 colour palette
- * Globally selectable scan lines per row (9/10/13/16/) and character matrix [12x9, 12x13, 12x16, 16x18, (VxH)]
- * Fringing (Shadow) selectable from N-S-E-W direction
- * Fringe colour selectable
- * Contrast reduction of defined area

SERVICE MANUAL

- * Cursor
- * Special Graphics Characters with two planes, allowing four colours per character
- * 64 software redefinable On-Screen display characters
- * 4 WST Character sets (G0/G2) in single device (e.g. Latin, Cyrillic, Greek, Arabic)
- * G1 Mosaic graphics, Limited G3 Line drawing characters
- * WST Character sets and Closed Caption Character set in single device
- * Curtaining effect via software

1.3 Quick reference data

SERVICE MANUAL

Table 1: Quot reference data

SYMBOL	PARAMETER	MIN.	TYP.	MAX.	UNIT
Supply					
V_p	analogue supply voltage TV processor	4.7	5.0	5.3	V
I_p	supply current (5.0 V)	–	190	–	mA
V_{DDA}	digital supply TV processor / analogue supply periphery	3.0	3.3	3.6	V
I_{DDA}	supply current (3.3 V)	–	40	–	mA
V_{DDCP}	digital supply to core/periphery	1.65	1.8	1.95	V
I_{DDCP}	supply current (1.8 V)	–	200	–	mA
V_{PAudio} [1]	audio supply voltage	4.7	5.0	5.4	V
I_{PAudio} [1]	supply current (5.0/5.0 V)	–	0.5	–	mA
P_{tot}	total power dissipation	–	1.87	–	W
Input voltages					
$V_{i(VIF)(rms)}$	video IF amplifier sensitivity (RMS value)	–	75	150	μ V
$V_{i(SIF)(rms)}$	QSS sound IF amplifier sensitivity (RMS value)	–	45	–	dB μ V
$V_{i(SIF)(rms)}$	sound IF amplifier sensitivity (RMS value)	–	1.0	–	mV
$V_{i(AUDIO)(rms)}$	external audio input (RMS value)	–	1.0	1.3	V
$V_{i(CVBS)(p-p)}$	external CVBS/Y input (peak-to-peak value)	–	1.0	1.4	V
$V_{i(CHROMA)(p-p)}$	external chroma input voltage (burst amplitude) (peak-to-peak value)	–	0.3	1.0	V
$V_{i(RGB)(p-p)}$	RGB inputs (peak-to-peak value)	–	0.7	0.8	V
$V_{i(Y)(p-p)}$	luminance input signal (peak-to-peak value)	–	1.4 / 1.0	–	V
$V_{i(U)(p-p)} / V_{i(P)(p-p)}$	U / P _B input signal (peak-to-peak value) [2]	–	–1.33 / +0.7	–	V
$V_{i(V)(p-p)} / V_{i(P)(p-p)}$	V / P _B input signal (peak-to-peak value) [2]	–	–1.05 / +0.7	–	V
Output signals					
$V_{o(VFO)(p-p)}$	demodulated CVBS output (peak-to-peak value)	–	2.0	–	V
$V_{o(QSS)(rms)}$	sound IF Inter-carrier output (RMS value)	–	100	–	mV
$V_{o(AMOUT)(rms)}$	demodulated AM sound output (RMS value)	–	250	–	mV
$V_{o(AUDIO)(rms)}$ [1]	non-controlled audio output signals (RMS value)	1.0	–	–	V
$V_{o(CVBS)(p-p)}$	selected CVBS output (peak-to-peak value)	–	2.0	–	V
$I_{o(AGCOUT)}$	tuner AGC output current range	0	–	1	mA
$V_{o(RGB)(p-p)}$	RGB output signal amplitudes (peak-to-peak value)	–	1.2	–	V
$I_{o(HOUT)}$	horizontal output current	10	–	–	mA
$I_{o(VERT)}$	vertical output current (peak-to-peak value)	–	1	–	mA
$I_{o(EW)}$	EW drive output current	–	–	1.2	mA

[1] The supply voltage for the analogue audio part of the IC can be 5V or 5V. For a supply voltage of 5V the maximum signal amplitudes at in and outputs are 1V_{max}. For a supply voltage of 5V the maximum output signal amplitude is 2 V_{max}.

[2] The YUVYP_BP_B input signal amplitudes are based on a colour bar signal with 75/100% saturation.

SERVICE MANUAL

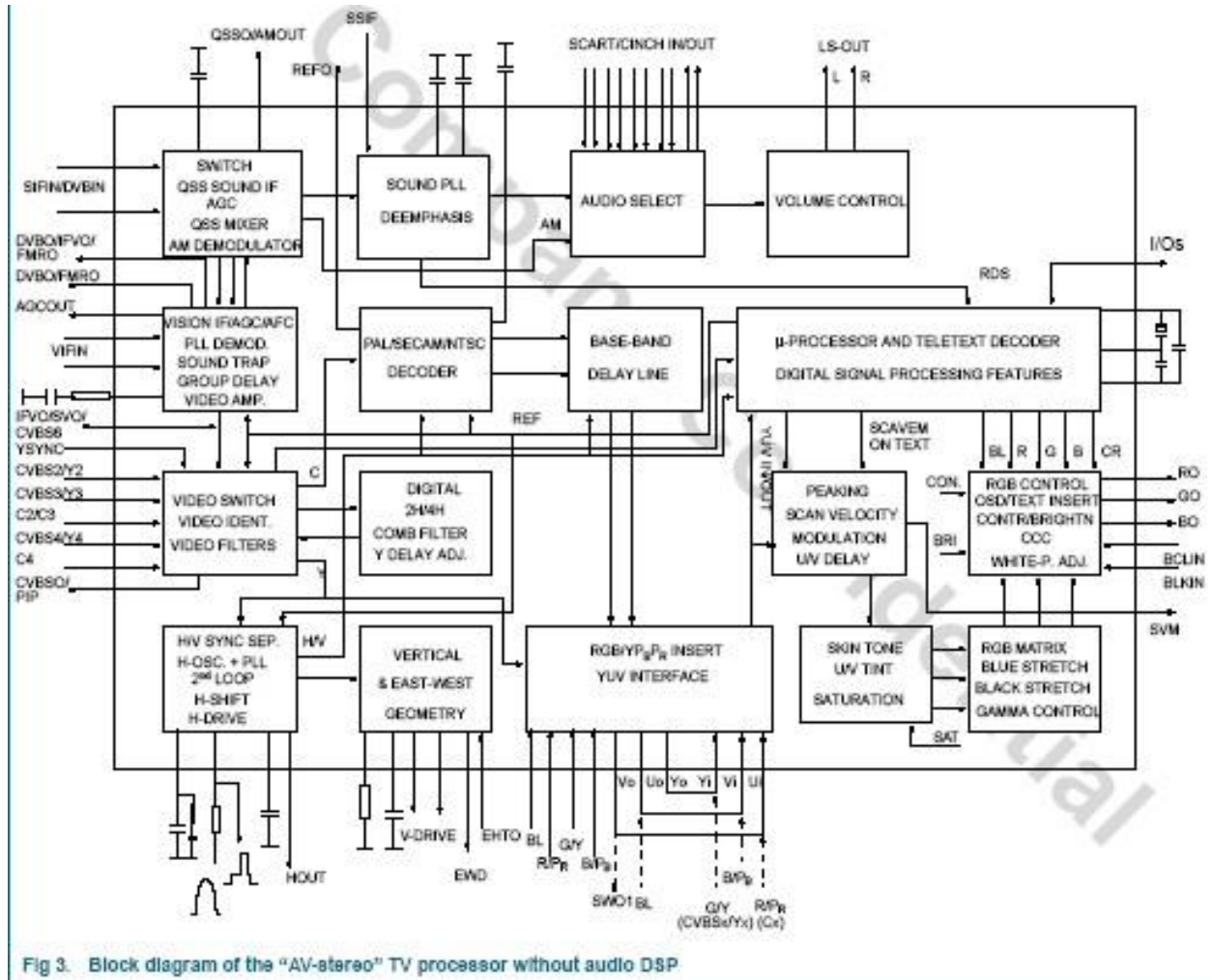
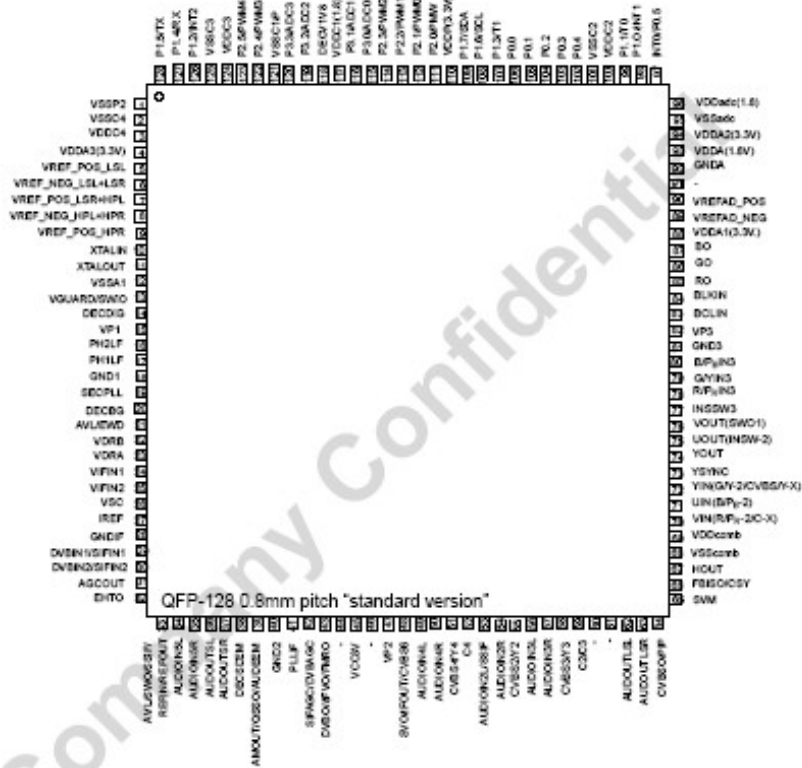


Fig 3. Block diagram of the "AV-stereo" TV processor without audio DSP

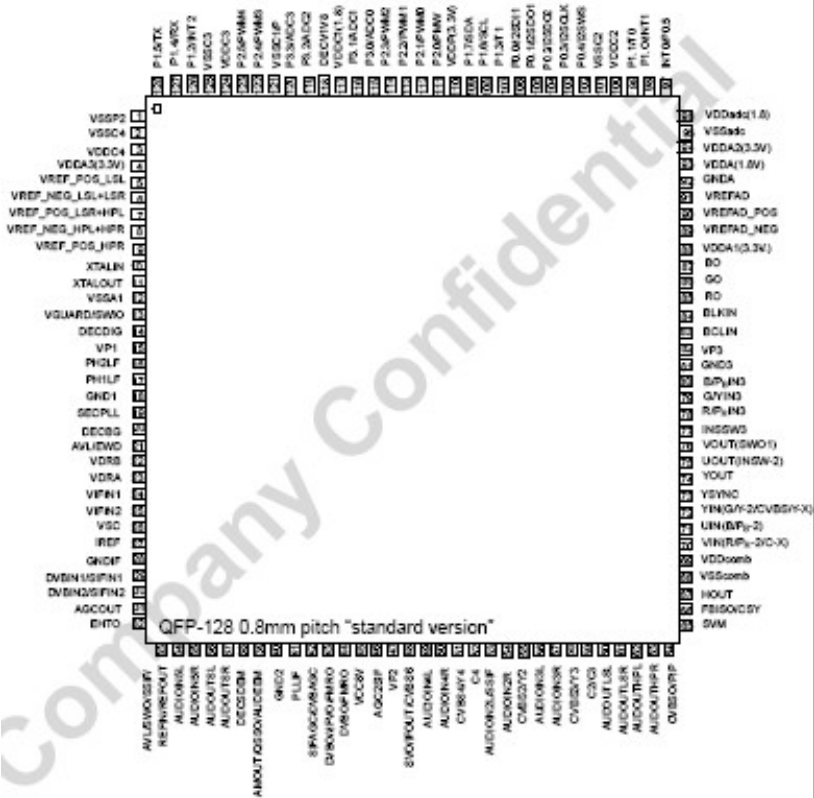
Note: TDA12060 block diagram

1.5 Pinning information

SERVICE MANUAL



Note: TDA12060's pinning



Note: TDA12062's pinning

SERVICE MANUAL

Table 6: Pinning information

SYMBOL	QFP						QIP			DESCRIPTION
	"Standard" version			"Face down" version			"Standard" & "Face-down" version			
	Stereo + AV stereo	AV Stereo No audio dsp	Mono	Stereo + AV stereo	AV Stereo No audio dsp	Mono	Stereo + AV stereo	AV stereo	Mono	
VSSP2	1	1	1	128	128	128	1	1	1	ground
VSSC4	2	2	2	127	127	127	1	1	1	ground
VDDC4	3	3	3	126	126	126	3	3	3	digital supply to SDACs (1.8V)
VDDA3(3.3V)	4	4	4	125	125	125	16	16	16	supply (3.3 V)
VREF_POS_LSL	5	5	5	124	124	124	16	16	16	positive reference voltage SDAC (3.3 V)
VREF_NEG_LSL+HPL	6	6	6	123	123	123	17	17	17	negative reference voltage SDAC (0 V)
VREF_POS_LSR+HPR	7	7	7	122	122	122	16	16	16	positive reference voltage SDAC (3.3 V)
VREF_NEG_HPL+HPR	8	8	8	121	121	121	17	17	17	negative reference voltage SDAC (0 V)
VREF_POS_HPR	9	9	9	120	120	120	16	16	16	positive reference voltage SDAC (3.3 V)
XTALIN	10	10	10	119	119	119	18	18	18	crystal oscillator input
XTALOUT	11	11	11	118	118	118	19	19	19	crystal oscillator output
VSSA1	12	12	12	117	117	117	20	20	20	ground
VGUARD/SWIO	13	13	13	116	116	116	78	78	78	V-guard input / I/O switch (e.g. 4 mA current sinking capability for direct drive of LEDs)
DECDIG	14	14	14	115	115	115	21	21	21	decoupling digital supply
VP1	15	15	15	114	114	114	22	22	22	1 st supply voltage TV-processor (+5 V)
PH2LF	16	16	16	113	113	113	23	23	23	phase-2 filter
PH1LF	17	17	17	112	112	112	24	24	24	phase-1 filter
GND1	18	18	18	111	111	111	25	25	25	ground 1 for TV-processor
SECPLL	19	19	19	110	110	110	26	26	26	SECAM PLL decoupling
DECBG	20	20	20	109	109	109	27	27	27	bandgap decoupling
EWD/AVL	21	21	21	108	108	108	75	75	75	East-West drive output or AVL capacitor
VDRB	22	22	22	107	107	107	77	77	77	vertical drive B output
VDRA	23	23	23	106	106	106	76	76	76	vertical drive A output
VIFIN1	24	24	24	105	105	105	28	28	28	IF Input 1

Table 6: Pinning information

SYMBOL	QFP						QIP			DESCRIPTION
	"Standard" version			"Face down" version			"Standard" & "Face-down" version			
	Stereo + AV stereo	AV Stereo No audio dsp	Mono	Stereo + AV stereo	AV Stereo No audio dsp	Mono	Stereo + AV stereo	AV stereo	Mono	
VIFIN2	25	25	25	104	104	104	29	29	29	IF Input 2
VSC	26	26	26	103	103	103	30	30	30	vertical sawtooth capacitor
IREF	27	27	27	102	102	102	31	31	31	reference current input
GNDIF	28	28	28	101	101	101	32	32	32	ground connection for IF amplifier
SIFIN1/DVBIN1	29	29	29	100	100	100	33	33	33	SIF Input 1 / DVB Input 1
SIFIN2/DVBIN2	30	30	30	99	99	99	34	34	34	SIF Input 2 / DVB Input 2
AGCOUT	31	31	31	98	98	98	35	35	35	tuner AGC output
EHTO	32	32	32	97	97	97	74	74	74	EHT/overvoltage protection input
AVL/SWO/SSIF/REFO/REFIN	33	33	33	96	96	96	44	44	44	Automatic Volume Levelling / switch output / sound IF input / subcarrier reference output / external reference signal input for I signal mixer for DVB operation
AUDIOIN5	-	-	34	-	-	95	-	-	-	audio 5 input
AUDIOIN5L	34	34	-	95	95	-	-	-	-	audio-5 input (left signal)
AUDIOIN5R	35	35	-	94	94	-	-	-	-	audio-5 input (right signal)
AUDOUT5L	36	36	-	93	93	-	37	37	-	audio output for SCART/CINCH (left signal)
AUDOUT5R	37	37	-	92	92	-	38	38	-	audio output for SCART/CINCH (right signal)
DECSDEM	38	36	38	91	91	91	64	64	64	decoupling sound demodulator
QSSO/AMOUT/AUDEEM	39	39	39	90	90	90	36	36	36	QSS Intercarrier output / AM output / deemphasis (front-end audio out)
GND2	40	40	40	89	89	89	39	39	39	ground 2 for TV processor
PLLIF	41	41	41	88	88	88	40	40	40	IF-PLL loop filter
SIFAGC/DVBAGC	42	42	42	87	87	87	41	41	41	AGC sound IF / Internal-external AGC for DVB applications
DVBO/IFVO/FMRO	43	43	43	86	86	86	42	42	42	Digital Video Broadcast output / IF video output / FM radio output
DVBO/FMRO	44	44	-	85	85	-	-	-	-	Digital Video Broadcast output / FM radio output
VCC8V	45	45	45	84	84	84	43	43	43	8 Volt supply for audio switches
AGC2SIF	46	-	-	83	-	-	44	-	-	AGC capacitor second sound IF
VP2	47	47	47	82	82	82	45	45	45	2 nd supply voltage TV processor (+5 V)

SERVICE MANUAL

Table 6: Pinning information

SYMBOL	QFP						QIP			DESCRIPTION
	"Standard" version			"Face down" version			"Standard" & "Face-down" version			
	Stereo + AV stereo	AV Stereo No audio dep	Mono	Stereo + AV stereo	AV Stereo No audio dep	Mono	Stereo + AV stereo	AV stereo No audio dep	Mono	
IFVO/SVO/CVBS6	48	48	48	81	81	81	46	46	46	IF video output / selected CVBS output / CVBS Input
AUDIOIN4	-	-	49	-	-	80	-	-	47	audio 4 Input
AUDIOIN4L	49	49	-	80	80	-	47	47	-	audio-4 Input (left signal)
AUDIOIN4R	50	50	-	79	79	-	48	48	-	audio-4 Input (right signal)
CVBS4/Y4	51	51	51	78	78	78	49	49	49	CVBS4/Y4 Input
C4	52	52	52	77	77	77	-	-	-	chroma-4 Input
AUDIOIN2	-	-	53	-	-	76	-	-	50	audio 2 Input
AUDIOIN2L/SSIF	53	53	-	76	76	-	50	50	-	audio 2 Input (left signal) / sound IF input
AUDIOIN2R	54	54	-	75	75	-	51	51	-	audio 2 Input (right signal)
CVBS2/Y2	55	55	55	74	74	74	52	52	52	CVBS2/Y2 Input
AUDIOIN3	-	-	56	-	-	73	-	-	53	audio 3 Input
AUDIOIN3L	56	56	-	73	73	-	53	53	-	audio 3 Input (left signal)
AUDIOIN3R	57	57	-	72	72	-	54	54	-	audio 3 Input (right signal)
CVBS3/Y3	58	58	58	71	71	71	55	55	55	CVBS3/Y3 Input
C2/C3	59	59	59	70	70	70	56	56	56	chroma-2/3 Input
AUDOUTLSL	60	62	-	69	67	-	57	59	57	audio output for audio power amplifier (left signal)
AUDOUTLSR	61	63	-	68	66	-	58	60	58	audio output for audio power amplifier (right signal)
AUDOUT/AMOUT/FMOUT	-	-	62	-	-	67	-	-	59	audio output / AM output / FM output, volume controlled
AUDOUTHPL	62	-	-	67	-	-	59	-	-	audio output for headphone channel (left signal)
AUDOUTHPR	63	-	-	66	-	-	60	-	-	audio output for headphone channel (right signal)
CVBS0/PIP	64	64	64	65	65	65	61	61	61	CVBS / PIP output
SVM	65	65	65	64	64	64	71	71	71	scan velocity modulation output
FBISO/CSY	66	66	66	63	63	63	72	72	72	flyback Input/sandcastle output or composite H/V timing output
HOUT	67	67	67	62	62	62	73	73	73	horizontal output
VSScomb	68	68	68	61	61	61	62	62	62	ground connection for comb filter
VDDcomb	69	69	69	60	60	60	63	63	63	supply voltage for comb filter (5 V)

Table 6: Pinning information

SYMBOL	QFP						QIP			DESCRIPTION
	"Standard" version			"Face down" version			"Standard" & "Face-down" version			
	Stereo + AV stereo	AV Stereo No audio dep	Mono	Stereo + AV stereo	AV Stereo No audio dep	Mono	Stereo + AV stereo	AV stereo No audio dep	Mono	
VIN (R/P _H IN2/C _X)	70	70	70	59	59	59	-	-	-	V-input for YUV interface (2 nd R Input / P _H Input or C _X Input)
UIN (B/PBIN2)	71	71	71	58	58	58	-	-	-	U-input for YUV interface (2 nd B Input / PB Input)
YIN (G/YIN2/CVBS-Y _X)	72	72	72	57	57	57	-	-	-	Y-input for YUV interface (2 nd G Input / Y Input or CVBS/Y _X Input)
YSYNC	73	73	73	56	56	56	65	65	65	Y-input for sync separator
YOUT	74	74	74	55	55	55	66	66	66	Y-output (for YUV interface)
UOUT (INSSW2)	75	75	75	54	54	54	-	-	-	U-output for YUV interface (2 nd RGB / YP _B P _H insertion input)
VOUT (SWO1)	76	76	76	53	53	53	-	-	-	V-output for YUV interface (general purpose switch output)
INSSW3	77	77	77	52	52	52	67	67	67	3 rd RGB / YP _B P _H insertion input
R/P _H IN3	78	78	78	51	51	51	68	68	68	3 rd R input / P _H Input
G/YIN3	79	79	79	50	50	50	69	69	69	3 rd G input / Y Input
B/P _B IN3	80	80	80	49	49	49	70	70	70	3 rd B input / P _B Input
GND3	81	81	81	48	48	48	79	79	79	ground 3 for TV-processor
VP3	82	82	82	47	47	47	80	80	80	3 rd supply for TV processor
BCLIN	83	83	83	46	46	46	81	81	81	beam current limiter input
BLKIN	84	84	84	45	45	45	82	82	82	black current input
RO	85	85	85	44	44	44	83	83	83	Red output
GO	86	86	86	43	43	43	84	84	84	Green output
BO	87	87	87	42	42	42	85	85	85	Blue output
VDDA1	88	88	88	41	41	41	86	86	86	analog supply for TCG μ -Controller and digital supply for TV-processor (+3.3 V)
VREFAD_NEG	89	89	89	40	40	40	87	87	87	negative reference voltage (0 V)
VREFAD_POS	90	90	90	39	39	39	88	88	88	positive reference voltage (3.3 V)
VREFAD	91	91	91	38	38	38	89	89	89	reference voltage for audio ADCs (3.3/2 V)
GND4	92	92	92	37	37	37	87	87	87	ground
VDDA(1.8V)	93	93	93	36	36	36	90	90	90	analogue supply for audio ADCs (1.8 V)

SERVICE MANUAL

Table 6: Pinning information

SYMBOL	QFP						QIP			DESCRIPTION
	"Standard" version			"Face down" version			"Standard" & "Face-down" version			
	Stereo + AV stereo	AV Stereo No audio dsp	Mono	Stereo + AV stereo	AV Stereo No audio dsp	Mono	Stereo + AV stereo	AV stereo	Mono	
VDDA2(3.3)	94	94	94	35	35	35	88	88	88	supply voltage SDAC (3.3 V)
VSSadc	95	95	95	34	34	34	1	1	1	ground for video ADC and PLL
VDDadc(1.8)	96	96	96	33	33	33	90	90	90	supply voltage video ADC and PLL
INT0/P0.5	97	97	97	32	32	32	2	2	2	external Interrupt 0 or port 0.5 (4 mA current sinking capability for direct drive of LEDs)
P1.0/INT1	98	98	98	31	31	31	4	4	4	port 1.0 or external Interrupt 1
P1.1/T0	99	99	99	30	30	30	5	5	5	port 1.1 or Counter/Timer 0 Input
VDDC2	100	100	100	29	29	29	3	3	3	digital supply to core (1.8 V)
VSSC2	101	101	101	28	28	28	1	1	1	ground
P0.4/I2SWS	102	-	-	27	-	-	-	-	-	port 0.4 or I2S word select
P0.4	-	102	102	-	27	27	10	10	10	port 0.4
P0.3/I2SCLK	103	-	-	26	-	-	-	-	-	port 0.3 or I2S clock
P0.3	-	103	103	-	26	26	-	-	-	port 0.3
P0.2/I2SDO2	104	-	-	25	-	-	-	-	-	port 0.2 or I2S digital output 2
P0.2	-	104	104	-	25	25	50	50	50	port 0.2
P0.1/I2SDO1	105	-	-	24	-	-	-	-	-	port 0.1 or I2S digital output 1
P0.1	-	105	105	-	24	24	11	11	11	port 0.1
P0.0/I2SDI1/O	106	-	-	23	-	-	-	-	-	port 0.0 or I2S digital input 1 or I2S digital output
P0.0	-	106	106	-	23	23	51	51	51	port 0.0
P1.3/T1	107	107	107	22	22	22	6	6	6	port 1.3 or Counter/Timer 1 Input
P1.6/SCL	108	108	108	21	21	21	7	7	7	port 1.6 or I2C-bus clock line
P1.7/SDA	109	109	109	20	20	20	8	8	8	port 1.7 or I2C-bus data line
VDDP(3.3V)	110	110	110	19	19	19	9	9	9	supply to periphery and on-chip voltage regulator (3.3V)
P2.0/TPWM	111	111	111	18	18	18	10	10	10	port 2.0 or Tuning PWM output
P2.1/PWM0	112	112	112	17	17	17	11	11	11	port 2.1 or PWM0 output
P2.2/PWM1	113	113	113	16	16	16	47	47	47	port 2.2 or PWM1 output
P2.3/PWM2	114	114	114	15	15	15	48	48	48	port 2.3 or PWM2 output
P3.0/ADC0	115	115	115	14	14	14	12	12	12	port 3.0 or ADC0 Input

Table 6: Pinning information

SYMBOL	QFP						QIP			DESCRIPTION
	"Standard" version			"Face down" version			"Standard" & "Face-down" version			
	Stereo + AV stereo	AV Stereo No audio dsp	Mono	Stereo + AV stereo	AV Stereo No audio dsp	Mono	Stereo + AV stereo	AV stereo	Mono	
P3.1/ADC1	116	116	116	13	13	13	13	13	13	port 3.1 or ADC1 Input
VDDC1	117	117	117	12	12	12	3	3	3	digital supply to core (+1.8 V)
DECV1V8	118	118	118	11	11	11	3	3	3	decoupling 1.8 V supply
P3.2/ADC2	119	119	119	10	10	10	14	14	14	port 3.2 or ADC2 Input
P3.3/ADC3	120	120	120	9	9	9	15	15	15	port 3.3 or ADC3 Input
VSSC1P	121	121	121	8	8	8	1	1	1	digital ground for μ -Controller core and periphery
P2.4/PWM3	122	122	122	7	7	7	53	53	53	port 2.4 or PWM3 output
P2.5/PWM4	123	123	123	6	6	6	54	54	54	port 2.5 or PWM4 output
VDDC3	124	124	124	5	5	5	3	3	3	digital supply to core (1.8V)
VSSC3	125	125	125	4	4	4	1	1	1	ground
P1.2/INT2	126	126	126	3	3	3	2	2	2	port 1.2 or external Interrupt 2
P1.4/RX	127	127	127	2	2	2	53	53	53	port 1.4 or UART bus
P1.5/TX	128	128	128	1	1	1	54	54	54	port 1.5 or UART bus

1.6 Power & Reset Management

There are three Power Saving modes, Stand-by, Idle and Power Down, incorporated into the TCG μ -Controller die. When utilizing either mode, the 3.3V power to the device (VDDP & VDDA) should be maintained, the 1.8V power to digital core except 80c51 and pads will be switched-off internally to minimize the leakage current. The internally generated 1.8V will be maintained to

supply the power of 80c51 and pads.

1.6.1 Reset Capabilities

The TCG -Controller global power on reset is generated internally hence no external reset circuitry is required.

Furthermore two additional user reset possibilities are offered:

- a hardware reset via pin P_TMSEL
- a software reset via pin P_TMSEL

The pin P_TMSEL is in two different ways: for test mode and FLASH/ISP programming control and as a global reset pin to the TCG -Controller. The reset capability is an active high reset incorporating an internal pull-down. Thus it can be left unconnected in the application. In UOCIII this pin is connected to the VSP die but the VSP is capable to serve this functionality in a kind of bypass mode.

The software reset capability is performed using a reset bit inside a SFR register called ROMBK. This bit is used by the micro-controller to reset the following functions / blocks: stereo sound decoder, RDS, ISP, acquisition, display, display RAM and digital video interface. The software reset is executed by initially setting the corresponding bit to '1' followed by clearing the bit to '0'. The reset is launched after the falling edge of this process. It takes approximately 200 ms to complete the internal reset sequence. Please note that of course the micro controller, its peripherals (e.g. timers) and the program flash are not affected by this reset.

1.6.2 Power Modes

1.6.2.1 Stand-by mode

During Stand-by mode, the Acquisition, Display, RDS, and SSD sections of the device are disabled. The following functions remain active:

- 80c51 CPU Core
- I2C
- RCP (Remote Control Pre-processor)
- Timer/Counters
- WatchDog Timer
- UART, SAD and PWMs

To enter Stand-by mode, the STANDBY bit in the ROMBANK register must be set. The status of all SFRs, internal RAM contents are maintained, as are the device output pin values, but the contents of Display memory are lost. Since the output values on RGB and VDS are maintained the display output must be disabled before entering this mode. This mode should be used in conjunction with both Idle and Power-Down modes.

It is not recommended to enter either the Idle mode or Power-Down mode directly from the application mode. During Standby mode execution the necessary provisions are executed to safely enter the subsequent modes and re-cover from them.

1.6.2.2 Idle mode

During Idle mode, Acquisition, Display, RDS, SSD and the CPU sections of the device are disabled. The following functions remain active:

- I2C
- RCP
- Timer/Counters
- WatchDog Timer
- UART, SAD and PWMs

To enter Idle mode the IDL bit in the PCON register must be set. The WatchDog timer must be disabled prior to entering Idle to prevent the device being reset. It is advice to use the RCP (Remote Control Pre-processor) during the Idle mode to reduce the false interrupt wake-up of 80c51 in order to achieve the low power saving mode. The CPU state is frozen along with the status of all SFRs, internal RAM contents are maintained, as are the device output pin values, but the contents of Display memory are lost. Since the output values on RGB and VDS are maintained the Display output must be disabled before entering this mode.

There are three methods available to recover from Idle:

- Assertion of any enabled interrupt will cause the IDL bit to be cleared by hardware, thus terminating Idle mode. The interrupt is serviced, and following the instruction RETI, the next instruction to be executed will be the one after the instruction that put the device into Idle mode.
- A second method of exiting Idle is via an Interrupt generated by the SAD DC Compare circuit. When TCG -Controller is configured in this mode, detection of an analogue threshold at the input to the SAD may be used to trigger wake-up of the device i.e. TV Front Panel Key-press. As above,

the interrupt is serviced, and following the instruction RETI, the next instruction to be executed will be the one following the instruction that put the device into Idle.

- The third method of terminating idle mode is with a power on reset. Reset defines all SFRs and Display memory to a pre-defined state, but maintains all other RAM values. Code execution commences with the program counter set to “0000”.

1.6.2.3 Power down mode

In Power Down mode the XTAL oscillator is running still. The contents of all SFRs and Data memory are maintained, however, the contents of the Display memory are lost. The port pins maintain the values defined by their associated SFRs. Since the output values on RGB and VDS are maintained the Display output must be made inactive before entering Power Down mode.

The power down mode is activated by setting the PD bit in the PCON register. It is advised to disable the WatchDog timer prior to entering Power down. Recovery from Power-Down takes several milli-seconds as the oscillator must be given time to stabilize.

There are three methods of exiting power down:

- The first method to wake up from Power-Down is to use one of these two external interrupts: EX0 and EX1. The interrupt EX2 cannot be used to wake up the system. Since the clock is stopped, these external interrupts needs to be set level sensitive before entering Power-Down. The interrupt is serviced, and following the instruction RETI, the next instruction to be executed will be the one after the instruction that put the device into Power-Down mode.
- A second method to exit Power-Down is via an interrupt triggered by the SAD DC comparator. This can be used e.g. to trigger a wake-up of the device by TV Front Panel key-press. As above, the interrupt is serviced, and following the instruction RETI, the next instruction to be executed will be the one following the instruction that put the device into Power-Down
- The third method of terminating the Power-Down mode is with a Power On reset. Reset defines all SFRs and Display memory, but maintains all other RAM values. Code execution commences with the Program Counter set to “0000”.

1.6.2.4 General recommendations

In power saving application modes where all three external interrupts are required the Idle

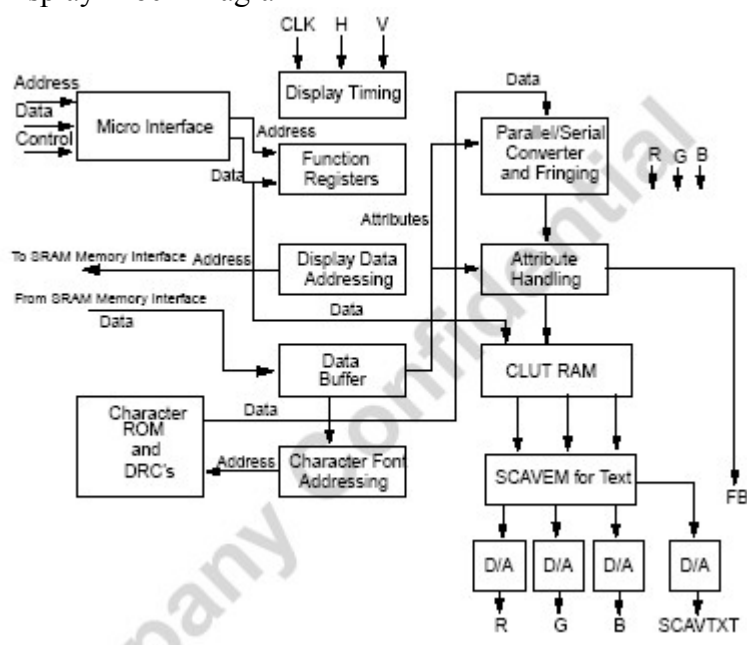
mode must be used. The difference between the Power Down mode and the Idle mode in terms of power is quite small since they only differ in the amount of peripherals kept operational. The purpose of these peripherals is to provide the interrupt request signals to wake up the micro controller.

1.7 Display Engine

The display section reads the contents of the Display memory and interprets the control/character codes. From this information and other global settings, the display produces the required RGB signals and Video/Data (Fast Blanking) signal for a TV signal processing device.

The display is synchronized to the TV signal processing device by way of Horizontal and Vertical sync signals generated in UOCIII. From these signals the display timing is derived.

Display Block Diagram



1.8 Functional Description Video Processor

1.8.1 Vision IF amplifier

The vision IF amplifier can demodulate signals with positive and negative modulation. The PLL demodulator is completely alignment-free.

The VCO of the PLL circuit is internal and the frequency is fixed to the required value by using the clock frequency of the TCG m-Controller as a reference. The setting of the various frequencies

(e.g. 38, 38.9, 45.75 and 58.75 MHz) can be made via the control bits IFA-IFC in subaddress 2FH. Because of the internal VCO the IF circuit has a high immunity to EMC interferences.

The output of the AFC detector can be read from output byte 04H and has a resolution of 7 bits (25 kHz per step). By means of this information a fast tuning algorithm can be designed.

The IC contains a group delay correction circuit which can be switched between the BG and a uncompensated group delay response characteristic. This has the advantage that in multi-standard receivers no compromise has to be made for the choice of the SAWfilter. This group delay correction is realised for the demodulated CVBS output signal. The IC contains in addition a sound trap circuit with a switchable centre frequency.

1.8.2 Digital Broadcast reception

Apart from processing analogue TV signals, the IF circuit can also preprocess digital TV signals before they are sent to a digital signal processor. These signals have to be supplied to the sound IF inputs. In this mode the IF reference frequency is fixed at 43.008 or 49.152 MHz. It is also possible to supply an external reference signal to demodulator. The demodulator multiplies the incoming signal with the fixed oscillator frequency. The mixed down signal is low pass filtered to obtain a I-signal. The “Stereo” and “AV Stereo” versions have a differential output, however, it is possible to use a single-ended output. The various output signal conditions can be set by means of the IFO2-IFO0 bits in subaddress 31H (see also Table 128). The “Mono” versions have a single-ended output.

The AGC has two modes of operation: the internal mode in which the IC sets the gain with its own reference and an external mode in which the gain can be controlled with an external circuit. In the second case the SIFAGC pin is used as an input to control the IF gain with an external circuit.

1.8.3 QSS Sound circuit

The sound IF amplifier is similar to the vision IF amplifier and has an external AGC decoupling capacitor.

The single reference QSS mixer is realised by a multiplier. In this multiplier the SIF signal is converted to the intercarrier frequency by mixing it with the regenerated picture carrier from the

VCO. The mixer output signal is supplied to the output via a high-pass filter for attenuation of the residual video signals. With this system a high performance hi-fi stereo sound processing can be achieved.

The AM sound demodulator is realised by a multiplier. The modulated sound IF signal is multiplied in phase with the limited SIF signal. The demodulator output signal is supplied to the output via a low-pass filter for attenuation of the carrier harmonics.

Switching between the QSS output and AM output is made by means of the AM bit in subaddress 33H.

1.8.4 FM demodulator

The FM demodulator is realised as narrow-band PLL with internal loop filter, which provides the necessary selectivity without using an external band-pass filter. To obtain a good selectivity a linear phase detector and a constant input signal amplitude are required. For this reason the intercarrier signal is internally supplied to the demodulator via a gain controlled amplifier and AGC circuit. To improve the selectivity an internal bandpass filter is connected in front of the PLL circuit.

The nominal frequency of the demodulator is tuned to the required frequency (4.5/5.5/6.0/6.5 MHz) by means of a calibration circuit which uses the clock frequency of the TCG11 m-Controller as a reference. It is also possible to frequencies of 4.72 and 5.74 MHz so that a second sound channel can be demodulated. In the latter application an external bandpass filter has to be applied to obtain sufficient selectivity (the sound input can be activated by means of the setting of CMB2-CMB0 bits in subaddress 4AH). The setting to the wanted frequency is realised by means of the control bits FMA, FMB and FMC in the control bit 33H.

From the output status bytes it can be read whether the PLL frequency is inside or outside the window and whether the PLL is in lock or not. With this information it is possible to make an automatic search system for the incoming sound frequency. This can be realized by means of a software loop which switches the demodulator to the various frequencies and then select the frequency on which a lock condition has been found.

The amplitude deemphasis output signal changed with 6 dB by means of the AGN bit. In this way output signal differences between the 4.5 MHz standard (frequency deviation ± 25 kHz) and the other standards (frequency deviation ± 50 kHz) can be compensated.

1.8.5 FM radio mode

The internal FM demodulator can also be used for the demodulation of FM radio signals. This mode is activated by the FMR bit (subaddress 34H). Depending on the UOCIII version, the mono demodulator as well as the stereo demodulator can be used for FM radio. Both demodulators can also be used simultaneously, so switching between the demodulators is an option and RDS demodulation can also be carried out.

There are two FM-radio options, depending on the tuner. The first one uses an optimized tuner with 10.7 MHz output. The tuner output signal can be filtered and applied to the SSIF input. The SSIF frequency of the mono demodulator can be set by the FMD bit. In case of using the stereo demodulator one has to set the 'STDSEL' register. The second option is the FM radio eco(nomy) using a normal multistandard tuner + an extra Radio I.F. SAW filter. In this case the I.F. demodulator has to be set to one of the fixed frequencies (43.008 MHz or 49.152 MHz) by the IFA-IFE bits in subaddress 31H. The I.F. centre frequency depends on the I.F. downmix frequency and the FM demodulator settings. The bandwidth of the RIF filter should be between 200 and 300 KHz for proper channel selectivity. A common QSS sound SAW filter with 800 KHz bandwidth is too wide. In the FM radio eco mode the SSIF output signal can be supplied to the output pins (FMRO) for external filtering by setting the IFO2- IFO0 bits in subaddress 31H.

The SS IF bit can be either pin 33 or pin 53 (pins 96 or 76 respectively for the "face down" version). The selection is made by means of the CMB2-CMB0, SSIFS and SSIFM bits.

1.8.6 CVBS and Y/C input signal selection

The ICs have 3 inputs for external CVBS signals. All CVBS inputs can be used as Y input for the insertion of Y/C signals. However, the CVBS(Y)2 input has to be combined with the C3 input. It is possible to add an extra CVBS(Y/C) input via the pins which are intended to be used for YUV interface (or RGB/YPBPR input). The selection of this additional CVBS(Y/C) input is made via the YC bit. The CVBS selector has one independently switchable output. The switch configuration is given in Figure 72. The choice of the various modes can be made via the INA-IND bits in subaddress 38H.

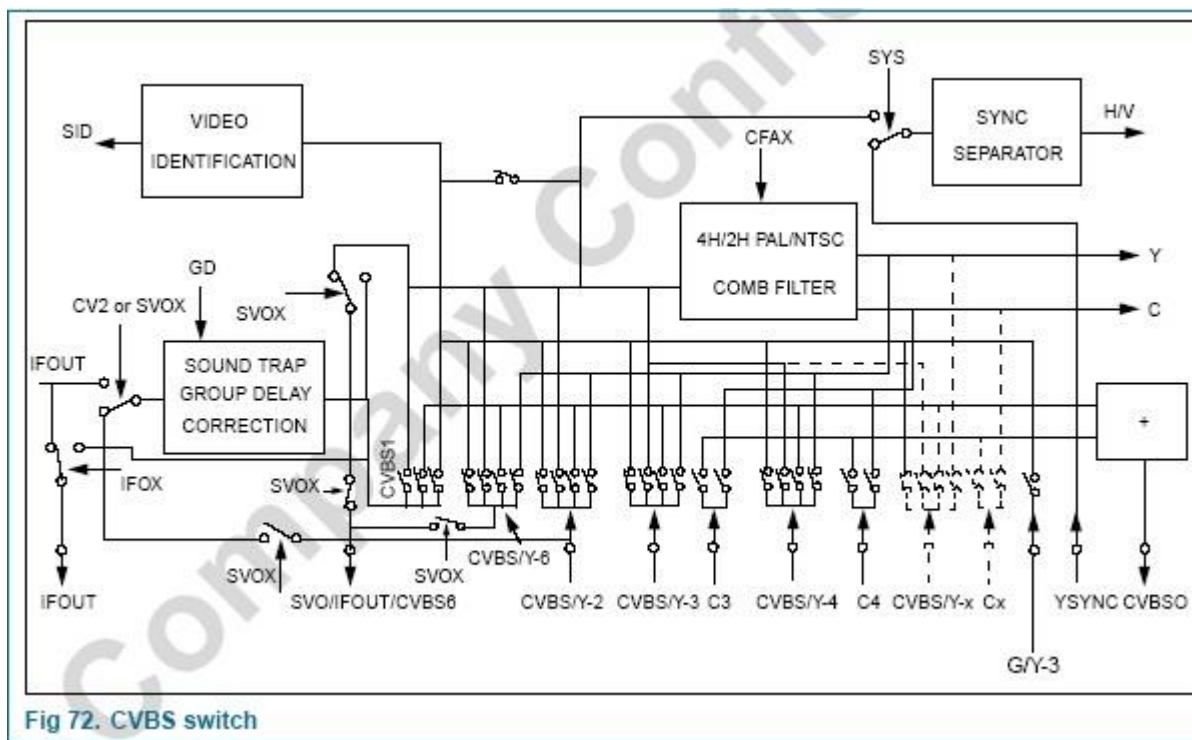
SERVICE MANUAL

The function of the IFVO/SVO/CVBS6 pin is determined by the SVO1/SVO0 bits. When used as output a selection can be made between the IF video output signal or the selected CVBS signal (monitor out). This pin can also be used as additional CVBS input. In the input selector this signal is indicated as CVBS/Y-6 (see Figure 72). The CVBS/Y-6 input has to be combined with the C4 input. The selection of the CVBS/Y-6 signal is valid only at the SVO1/SVO0 setting 1/0.

It is possible to use the group delay and sound trap circuit for the CVBS2 signal (via the CV2 bit).

For the CVBS(Y/C) inputs the circuit can detect whether a CVBS or Y/C signal is present on the input. The result can be read from the status register (YCD bit in subaddress 03H) and this information can be used to put the input switch in the right position (by means of the INA-IND bits in subaddress 38H). The Y/C detector is only active for the CVBS(Y)3/C3, CVBS(Y)4/C4 and CVBS(Y)x/Cx inputs. It is not active for the CVBS(Y)2/C3 and CVBS(Y)6/C4 inputs.

The video ident circuit can be connected to all video input signals. This ident circuit is independent of the synchronisation and can be used to switch the time-constant of the horizontal PLL depending on the presence of a video signal (via the VID bit). In this way a very stable OSD can be realised. The result of the video ident circuit can be read from the output bit SID (subaddress 00).



1.8.7 Synchronisation circuit

The IC contains separator circuits for the horizontal and vertical sync pulses. To obtain an accurate timing of the displayed picture the input signal of the sync separator is not derived from the various CVBS/Y or RGB/YPBPR inputs but from the YOUT pin. For this reason the YOUT pin must be capacitively coupled to the YSYNC pin. The delay between the various inputs and the YOUT signal can have rather large differences (e.g. comb filter active or not). By choosing the YOUT signal as input signal for the sync separator these delays have no effect on the picture position. Only for RGB signals without sync on green the input of the sync separator has to be connected to one of the CVBS inputs. This selection is made by means of the SYS bit.

The horizontal drive signal is obtained from an internal VCO which is running at a frequency of 25 MHz. This oscillator is stabilised to this frequency by using the clock signal coming from the reference oscillator of the TCG m-Controller.

To obtain a stable On-Screen-Display (OSD) under all conditions it is important that the first control loop is switched off or set to low gain when no signal is available at the input. The input signal condition is detected by the video identification circuit. The video identification circuit can automatically switch first control loop to a low gain when no input signal is available. This mode is

obtained when the VID bit is set to “0”. When the VID bit is “1” the mode of the first control loop can be switched by means of the FOA/FOB or POC bits.

For a good performance during normal TV reception (display of the front-end signal) various connections are active between the vision IF amplifier and the synchronization circuit (e.g. gating pulses for the AGC detector and noise gating of the sync separator). These connections are not allowed when external video signals are displayed. The switching of these connections can be coupled to the input signal selection bits (INA-IND). This mode is obtained when the VDXEN bit is “0”. Due to the input signal selector configuration it is possible that the internal CVBS signal is available on one of the other CVBS inputs. In this condition the connections between the vision IF amplifier and the synchronisation circuit can be switched on and off by means of the VDX bit. The VDXEN bit must be set to “1” for this mode.

The vertical synchronisation is realised by means of a divider circuit.

1.8.8 Horizontal and vertical drive

The horizontal drive is switched on and off via the soft start/stop procedure. The soft start function is realised by means of variation of the TON of the horizontal drive pulses. During the soft-stop period the horizontal output frequency is doubled resulting in a reduction of the EHT so that the picture tube capacitance can easily be discharged. In addition the horizontal drive circuit has a ‘low-power start-up’ function.

The vertical ramp generator needs an external resistor and capacitor. For the vertical drive a differential output current is available. The outputs must be DC coupled to the vertical output stage.

The IC has the following geometry control functions:

- Vertical amplitude
- Vertical slope
- S-correction
- Vertical shift
- Vertical zoom
- Vertical scroll
- Vertical linearity correction. When required the linearity setting for the upper and lower part of the screen can have a different setting.

- Horizontal shift
- EW width
- EW parabola width
- EW upper and lower corner parabola correction
- EW trapezium correction
- Horizontal parallelogram and bow correction.

When the vertical amplitude is compressed (zoom factor <1) it is still possible to display the black current measuring lines in the overscan. This function is activated by means of the bit OSVE in subaddress 40H.

The vertical guard input is combined with an I/O function. The following functions can be realised with this pin:

- Just vertical guard input.
- Combination of vertical guard and LED drive output. In this condition the output is high-ohmic during the vertical retrace (1 ms) so that the vertical guard pulse can be detected.
- Single ended output switch
- Input port

The functionality of this pin is controlled by the VGM1/0 and LED bits.

When the East-West geometry function is not required (e.g. for 90° picture tubes) the EW output pin can be used for the connection of the AVL capacitor. This function is chosen by means of the AVLE bit.

The UOCIII devices can also be used as input processor for 100 Hz or LCD TV receivers. In that case the deflection drive signals are not required. For these applications, H/V timing signal can be obtained from the H-drive and VDRB output pins. The polarity of these pulses is negative. For the H-output a pull-up resistor is required. The sandcastle signal will be available on the FBISO pin. This mode is activated by means of the LCD bit (subaddress 4AH). A change of the LCD bit is possible only in the stand-by mode (STB = 0).

1.8.9 Chroma, luminance and feature processing

Some versions contain a 4H/2H (2D) adaptive PAL/NTSC comb filter. The comb filter is automatically activated when standard CVBS signals are received. A signal is considered as

“standard signal” when a PAL or NTSC signal is identified and when the vertical divider is in the modes ‘standard narrow window’ or ‘standard TV norm’. For non-standard signals and for SECAM signals the comb filter is bypassed and the signal is filtered by means of bandpass and trap filters.

The chroma band-pass and trap circuits (including the SECAM cloche filter) are realized by means of internal filters and are tuned to the right frequency by comparing the tuning frequency with the reference frequency of the colour decoder.

The circuit contains the following picture improvement features:

- Peaking control circuit. The peaking function can be activated for all incoming CVBS, Y/C and RGB/YPBPR signals. Various parameters of the peaking circuit can be adapted by means of the I2C-bus. The main parameters are:
 - Peaking centre frequency (via the PF1/PF0 bits in subaddress 19H).
 - Ratio of positive and negative peaks (via the RPO1/RPO0 bits in subaddress 47H). The peaks in the direction “white” are the positive peaks.
 - Ratio of pre- and aftershoots (via the RPA1/RPA0 bits in subaddress 47H).
- Video dependent coring in the peaking circuit. The coring can be activated only in the low-light parts of the screen. This effectively reduces noise while having maximum peaking in the bright parts of the picture.
- Black stretch. This function corrects the black level for incoming signals which have a difference between the black level and the blanking level. The amount of stretching (A-A in Fig. 105) and the minimum required back ground to activate the stretching can be set by means of the I2C-bus (BSD/AAS in subaddress 45H).
- Gamma control. When this function is active the transfer characteristic of the luminance amplifier is made non-linear. The control curve can be adapted by means of I2C-bus settings (see Fig. 107). It is possible to make the gamma control function dependent on the picture content (Average Picture Level, APL). The effect is illustrated in Fig. 108. Previously this function was mentioned under the name “white stretch function”.
- Blue-stretch. This circuit is intended to shift colour near ‘white’ with sufficient contrast values towards more blue to obtain a brighter impression of the picture.
- Dynamic skin tone (flesh) control. This function is realised in the YUV domain by detecting the colours near to the skin tone.
- Scan-Velocity modulation output. Also the SVM function can be activated for all incoming CVBS,

Y/C and RGB/YPBPR signals. The delay between the RGB output signals and the SVM output signal can be adjusted (by means of the SVM2-SVM0 bits in subaddress 48H) so that an optimum picture performance can be obtained. Furthermore a coring function can be activated. It is possible to generate Scan Velocity Modulation drive signals during the display of 'full screen' teletext (not in mixed mode). Another feature is that the SVM output signal can be made dependent on the horizontal position on the screen (parabola on the SVM output).

The effect of the various features can be demonstrated by means of the 'split-screen' mode. When the TV receiver is switched to this mode the features are switched on in the left half of the picture and switched off in the right half of the picture or vice versa. It is possible to add a signal blanking in the middle of the screen. The features that are switched on and off are: peaking, scan velocity modulation, black stretch, gamma control, DC transfer ratio, blue stretch, dynamic skin tone control, tint on U/V and soft clipping.

1.8.10 Colour decoder

The ICs decode PAL, NTSC and SECAM signals. The PAL/NTSC decoder does not need external reference crystals but has an internal clock generator which is stabilised to the required frequency by using the clock signal from the reference oscillator of the TCG m-Controller.

Under bad-signal conditions (e.g. VCR-playback in feature mode), it may occur that the colour killer is activated although the colour PLL is still in lock. When this killing action is not wanted it is possible to overrule the colour killer by forcing the colour decoder to the required standard and to activate the FCO-bit (Forced Colour On) in subaddress 3CH. The sensitivity of the colour decoder for PAL and NTSC can be increased by means of the setting of the CHSE1/CHSE0 bits in subaddress 3CH.

The Automatic Colour Limiting (ACL) circuit (switchable via the ACL bit in subaddress 3BH) prevents that oversaturation occurs when signals with a high chroma-to-burst ratio are received. The ACL circuit is designed such that it only reduces the chroma signal and not the burst signal. This has the advantage that the colour sensitivity is not affected by this function.

The SECAM decoder contains an auto-calibrating PLL demodulator which has two references, viz: the divided reference frequency (obtained from the m-Controller) which is used to tune the PLL to the desired free-running frequency and the bandgap reference to obtain the correct absolute value

of the output signal. The VCO of the PLL is calibrated during each vertical blanking period, when the IC is in search or SECAM mode. The frequency offset of the B-Y demodulator can be reduced by means of the SBO1/SBO0 bits in subaddress 3CH.

The base-band delay line is integrated. In devices without CVBS comb filter this delay line is also active during NTSC to obtain a good suppression of cross colour effects. The demodulated colour difference signals are internally supplied to the delay line. The baseband comb filter can be switched off by means of the BPS bit (subaddress 3CH).

The subcarrier output is combined with a 3-level output switch (0 V, 2.1 V and 4.5 V). The output level and the availability of the subcarrier signal is controlled by the CMB2-CMB0 bits.

1.8.11 RGB output circuit

In the RGB control circuit the signal is controlled on contrast, brightness and saturation. The IC has a YUV interface so that additional picture improvement ICs can be applied. To compensate signal delays in the external YUV path the clamp pulse in the control circuit can be shifted by means of the CLD bit in subaddress 44H. When the YUV interface is not required some of the pins can be used for the insertion of RGB/YPBPR signals or as additional CVBS(Y)/C input. When the YUV interface is not used one of the pins (VOUT) is transferred to general purpose output switch (SWO1). The IC has also a YUV interface to the digital die. Via this loop digital features like “double window” are added.

A tint control is available for the base-band U/V signals. For this reason this tint control can be activated for all colour standards. The signals for OSD and text are internally supplied to the control circuit. The output signal has an amplitude of about 1.2 V black-to-white at nominal input signals and nominal settings of the various controls.

To obtain an accurate biasing of the picture tube the ‘Continuous Cathode Calibration’ system has been included in these ICs. The system is slightly adapted compared with the previous circuits. In the new configuration the cut-off level of the picture tube is controlled with a continuous loop whereas the correction of the amplitude of the output signals is realised by means of a digital loop. As a consequence the current measurement can be controlled from the m-Processor. The value of the “high current” in the CCC loop can be chosen via the SLG0 and SLG1 bits (subaddresses 42H and 46H). The gain control in the 3 RGB channels is realised by means of 7-bit DACs. The total

gain control range is ± 6 dB. The change in amplitude at the cathodes of the picture tube for one LSB is about 1.1 VP-P. The setting of the control DAC is determined by the following registers:

- The white point setting of the R, G and B channel in subaddress 20H to 22H. This register has a resolution of 6 bits and the control range in output signal amplitude is ± 3 dB.
- The cathode drive setting (CL3-CL0 in subaddress 42H). This setting is valid for all channels, the resolution is 4 bits and the control range is ± 3 dB.
- The gain setting of the R, G and B channel. During switch on this register is loaded with the preset gain setting of subaddress 23H to 25H and when necessary it will be adapted by the CCC control loop. These registers have a resolution of 7 bits.

The setting of the gain registers of the 3 channels can be stored during switch off and can be loaded again during switch-on so that the drive conditions are maintained.

When required the operation of the CCC system can be changed into a one-point black current system. The switching between the 2 possibilities is realised by means of the EGL bit (EGL = 0) in subaddress 42H. When used as one-point control loop the system will control the black level of the RGB output signals to the 'low' reference current and not on the cut off point of the cathode. In this way spreads in the picture tube characteristics will not be taken into account. In this condition the settings of the "white point control registers" (subaddress 20H - 22H) and the "cathode drive level bits" (CL3 - CL0 in subaddress 42H) are added to the settings of the RGB preset gain registers (subaddress 23H - 25H).

A black level off-set can be made with respect to the level which is generated by the black current stabilization system. In this way different colour temperatures can be obtained for the bright and the dark part of the picture. The black level control is active on the Red and the Green output signal. It is also possible to control the black level of the Blue and the Green output signal (OFB bit = 1).

In the Vg2 adjustment mode (AVG = 1) the black current stabilization system checks the output level of the 3 channels and indicates whether the black level of the highest output is in a certain window (WBC-bit) or below or above this window (HBC-bit). This indication can be read from the status byte 01 and can be used for automatic adjustment of the Vg2 voltage during the production of the TV receiver. During this test the vertical scan remains active so that the indication of the 2 bits can be made visible on the TV screen.

The control circuit contains a beam current limiting circuit and a peak white limiting circuit.

The control is realised by means of a reduction of the contrast and brightness control settings. The way of control (first contrast and then brightness or contrast and brightness in parallel) can be chosen by means of the CBS bit (subaddress 44H). The peak white level is adjustable via the I2C-bus.

To prevent that the peak white limiting circuit reacts on the high frequency content of the video signal a low-pass filter is inserted in front of the peak detector. The circuit also contains a soft-clipper which prevents that the high frequency peaks in the output signal become too high. The difference between the peak white limiting level and the soft clipping level is adjustable via the I2C-bus in a few steps.

During switch-off of the TV receiver a fixed beam current is generated by the black current control circuit. This current ensures that the picture tube capacitance is discharged. During the switch-off period the vertical deflection can be placed in an overscan position so that the discharge is not visible on the screen.

A wide blanking pulse can be activated in the RGB outputs by means of the HBL bit in subaddress 43H. The timing of this blanking can be adjusted by means of the WBF/R bits in subaddress 26H. In the LCD mode (AKB = 1 and LCD = 1) the wide blanking can also be activated.

1.9 Functional Description Sound Processor

The TV Sound Processor is a digital TV sound processor for analog multi-channel sound systems in TV sets. It is based on a 24 bit DSP and designed to support several applications.

A new easy-to-use control concept was implemented for easiest configuration programming of the very complex functionality of the TV Sound Processor. Pre-defined setups are available for all implemented sound processing modes. A loudspeaker switching concept allows it to adapt the pre-defined setups to the specific loudspeaker application. The built-in intelligence for pre-defined standards and Auto Standard Detection (ASD) allows an easy setup of the demodulator and decoder part.

The control concept for the audio processor is based on the following new features:

- Pre-defined setups for the sound processing modes like Dolby® Pro Logic® and Virtual Dolby® Surround (422, 423)
- Flexible configuration of audio outputs to the loudspeaker configuration with an additional output crossbar.

- Master volume function

The control concept for the demodulator and decoder (DEMDEC) is based on the following new features:

- Easy demodulator setup for all implemented standards with Demodulator and Decoder Easy Programming (DDEP) for a pre-selected standard or combined with Auto Standard Detection (ASD) for automatic detection of a transmitted standard
- Automatic decoder configuration and signal routing depending on the selected or detected standard
- FM overmodulation adaptation option to avoid clipping and distortion.

1.10 Limiting values

Symbol	Parameter	Conditions	Min	Max	Unit
V_{PP}	supply voltage		–	5.5	V
V_{CCAV}	supply voltage audio		–	8.6	V
V_{DDA}	supply voltage (analogue)		–0.5	3.6	V
V_{DDP}	supply voltage (periphery)		–0.5	3.6	V
V_{DDC}	supply voltage (core)		–0.5	2.5	V
V_I	digital inputs	[1]	–0.5	$V_{DD} + 0.5$	V
V_O	digital outputs	[1]	–0.5	$V_{DD} + 0.5$	V
I_O	output current (each output)		–	±10	mA
T_{stg}	storage temperature		–25	+150	°C
T_{ap}	programming ambient temperature		–	44	°C
T_{amb}	operating ambient temperature		0	70	°C
T_{sld}	soldering temperature	for 5 s	–	260	°C
T_{JP}	programming junction temperature		–	85	°C
T_J	operating junction temperature		–	150	°C
V_{esd}	electrostatic handling	HBM; all pins [2] [3]	–2000	+2000	V
		MM; all pins [2] [4]	–200	+200	V

[1] This maximum value has an absolute maximum of 5.5 V independent of V_{DD} .

[2] All pins are protected against ESD by means of internal clamping diodes.

[3] Human Body Model (HBM): R = 1.5 kΩ; C = 100 pF.

[4] Machine Model (MM): R = 10 Ω; C = 200 pF.

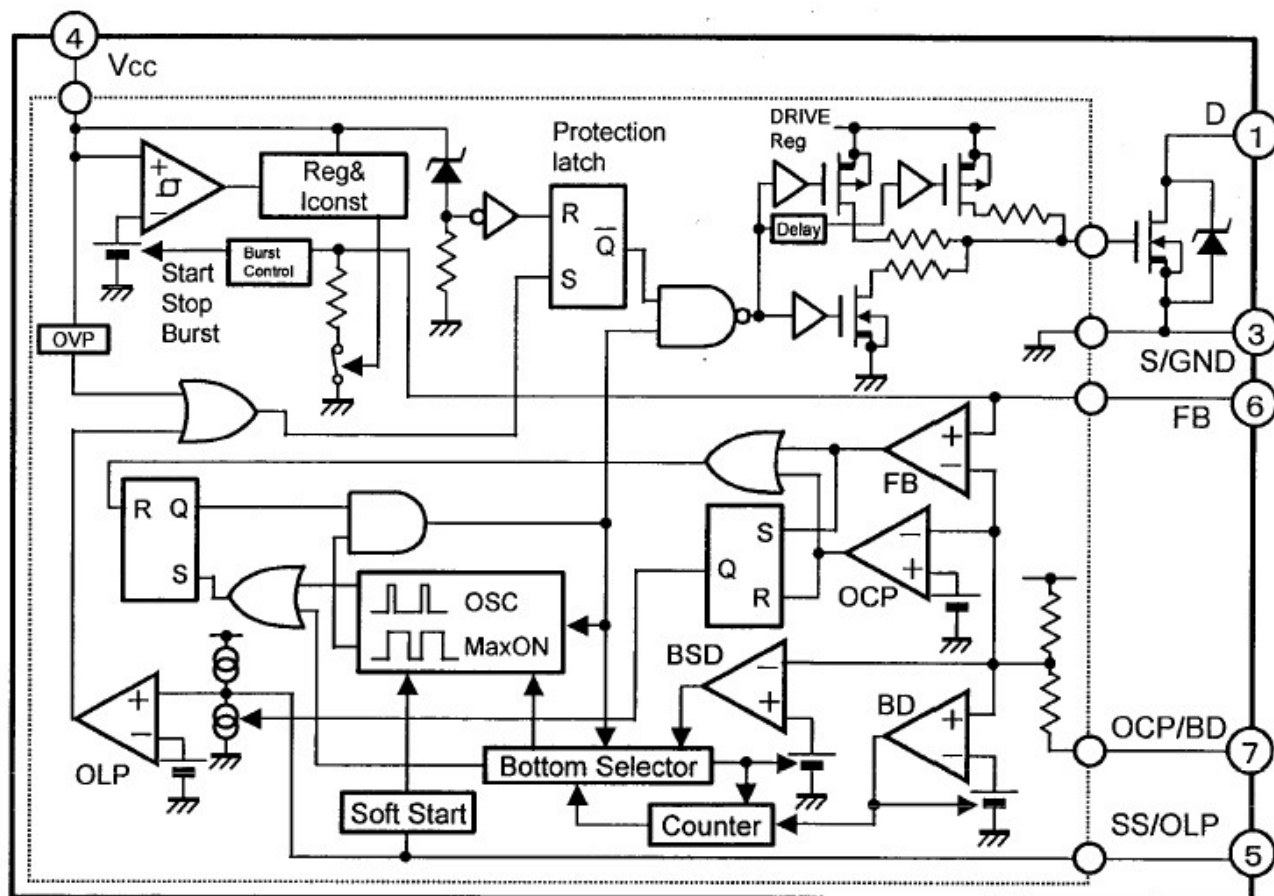
2. SWITCH POWER IC (N901)

2.1 STR-W6753

This IC is used in TV Model 1402/2108/21F08/21SL39.

2.1.1 Block Diagram

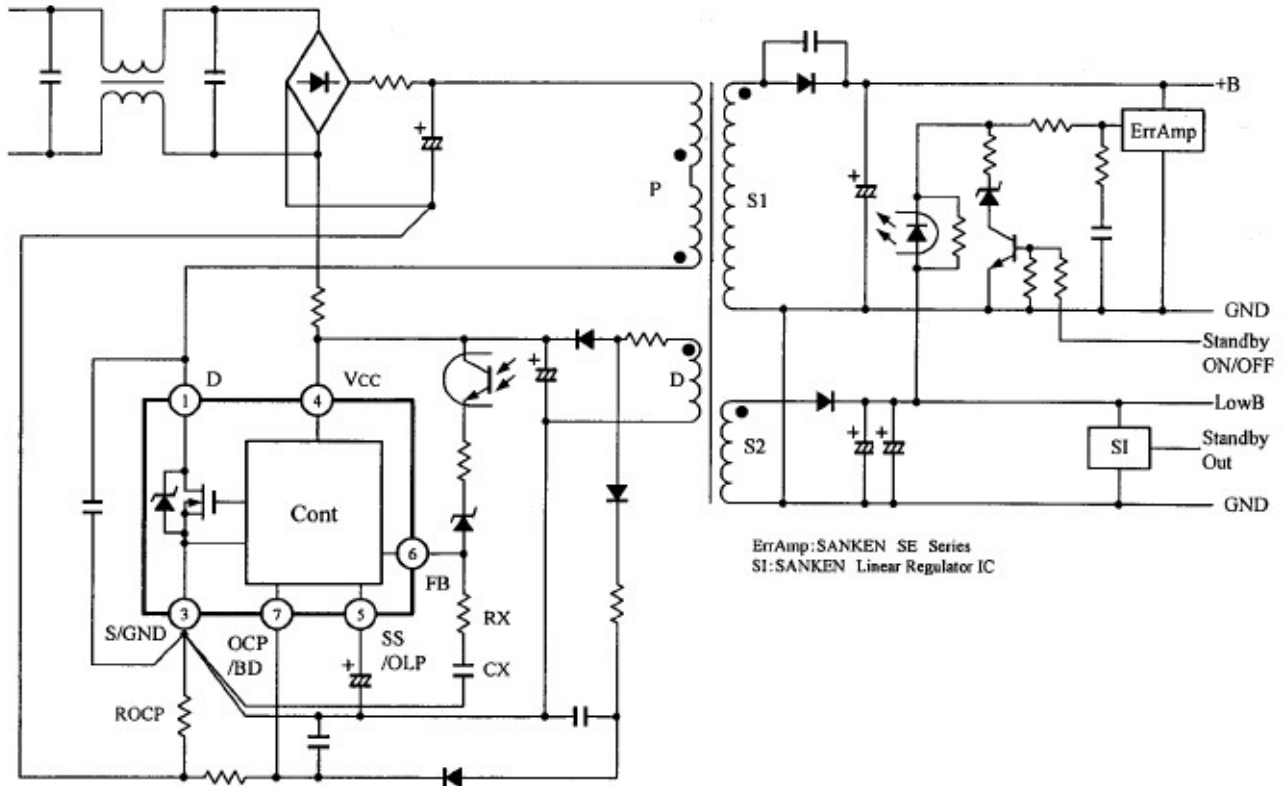
SERVICE MANUAL



2.1.2 Functions of each terminal

端子番号 Terminal No.	端子記号 Symbols	名称 Descriptions	機能 Functions
1	D	ドレイン端子 Drain terminal	MOSFET ドレイン MOSFET drain
3	S/GND	ソース/グランド端子 Source /Ground terminal	MOSFET ソース及びグランド MOSFET Source / Ground
4	Vcc	電源端子 Power supply terminal	制御回路電源入力 Input of power supply for control circuit
5	SS/OLP	ソフトスタート/過負荷時遅延設定端子 Delay at Overload/Soft Start set up Terminal	過負荷検出及びソフトスタート動作 の時間設定 Overload Protection and Soft Start Operation Time set up
6	FB	フィードバック端子 Feedback terminal	定電圧制御信号入力/間欠発振制御 Constant Voltage Control Signal Input, Burst(intermittent) mode Oscillation Control
7	OCP/BD	過電流保護入力/ボトム検出端子 Overcurrent Protection Input /Bottom Detection Terminal	過電流検出信号入力/ボトム検出信号入力 Overcurrent Detection Signal Input /Bottom Detection Signal Input

2.1.3 Example Application Circuit

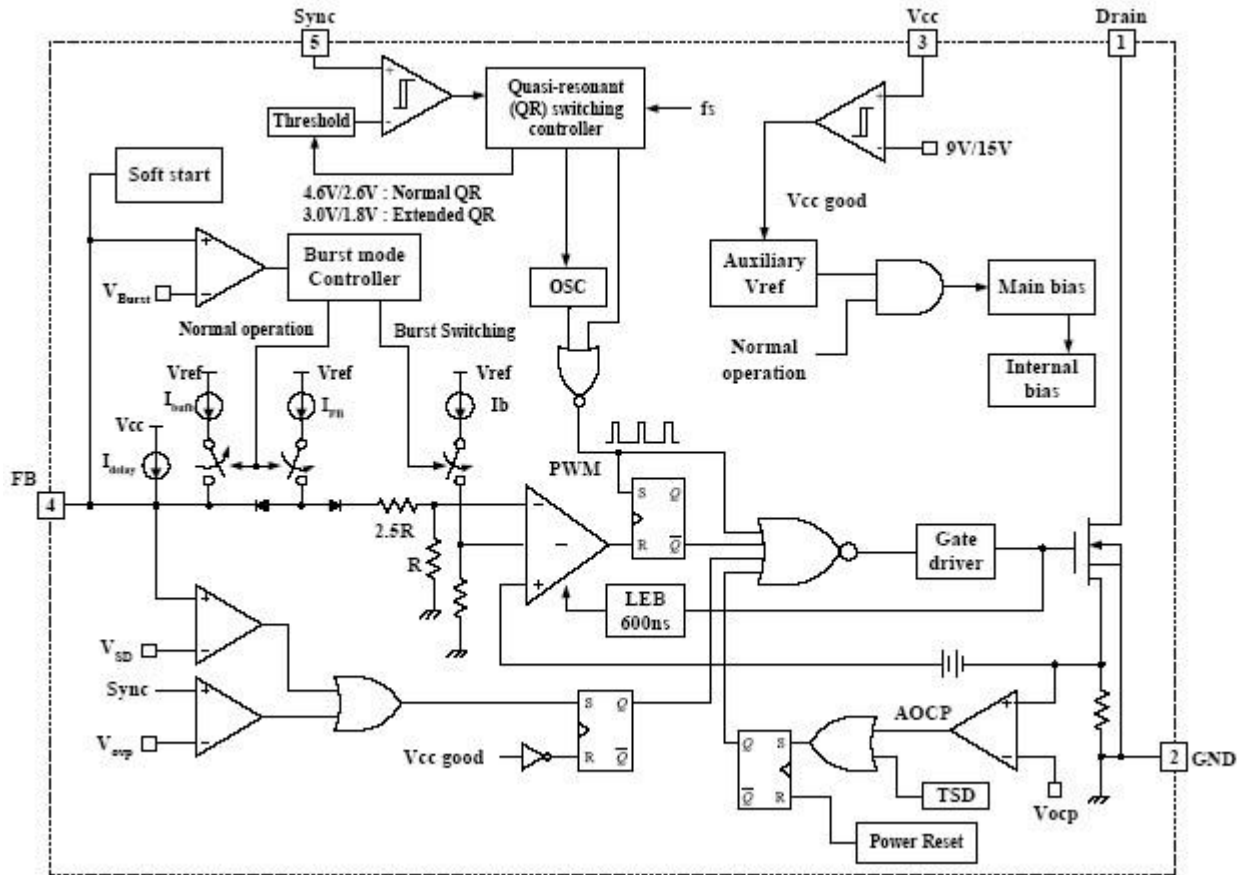


2.2 FSCQ1265RT (N901)

This IC is used in TV Model 29F08.

2.2.1 Internal Block Diagram

SERVICE MANUAL

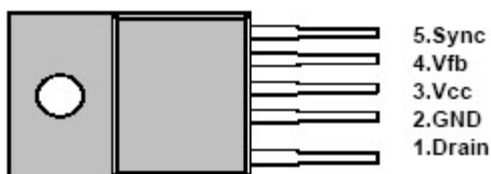


2.2.2 Pin Definitions

Pin Number	Pin Name	Pin Function Description
1	Drain	High voltage power SenseFET drain connection.
2	GND	This pin is the control ground and the SenseFET source.
3	Vcc	This pin is the positive supply input. This pin provides internal operating current for both start-up and steady-state operation.
4	Vfb	This pin is internally connected to the inverting input of the PWM comparator. The collector of an opto-coupler is typically tied to this pin. For stable operation, a capacitor should be placed between this pin and GND. If the voltage of this pin reaches 7.5V, the over load protection triggers resulting in shutdown of the FPS.
5	Sync	This pin is internally connected to the sync detect comparator for quasi resonant switching. In normal quasi-resonant operation, the threshold of the sync comparator is 4.6V/2.6V. Meanwhile, the sync threshold is changed to 3.0V/1.8V in extended quasi-resonant operation.

2.2.3 Pin Configuration

TO-220F-5L



2.2.4 Absolute Maximum Ratings

Parameter	Symbol	Value	Unit
Drain-Source (GND) Voltage ⁽¹⁾	V _{DSS}	650	V
Drain-Gate Voltage (R _{GS} =1MΩ)	V _{DGR}	650	V
Gate-Source (GND) Voltage	V _{GS}	±30	V
Drain Current Pulsed ⁽²⁾	I _{DM}	36	A _{DC}
Single Pulsed Avalanche Energy ⁽³⁾	E _{AS}	950	mJ
Continuous Drain Current (T _c = 25°C)	I _D	5.3	A _{DC}
Continuous Drain Current (T _c =100°C)	I _D	3.4	A _{DC}
Supply Voltage	V _{CC}	20	V
Analog Input Voltage Range	V _{sync}	-0.3 to 13V	V
	V _{FB}	-0.3 to V _{CC}	V
Total Power Dissipation	P _D	50	W
Operating Junction Temperature	T _J	+150	°C
Operating Ambient Temperature	T _A	-25 to +85	°C
Storage Temperature Range	T _{STG}	-55 to +150	°C
Thermal Resistance	R _{thjc}	2.5	°C/W

Notes:

1. T_J = 25°C to 150°C
2. Repetitive rating: Pulse width limited by maximum junction temperature
3. L = 21mH, V_{DD} = 50V, R_G = 25Ω, starting T_J = 25°C

3. VERTICAL DEFLECTION BOOSTER (N401)

3.1 STV9302B (used in TV Model 1402/2108/21F08)

3.1.1 Main Features

- Power Amplifier
- Flyback Generator
- Output Current up to 2 App
- Thermal Protection

SERVICE MANUAL

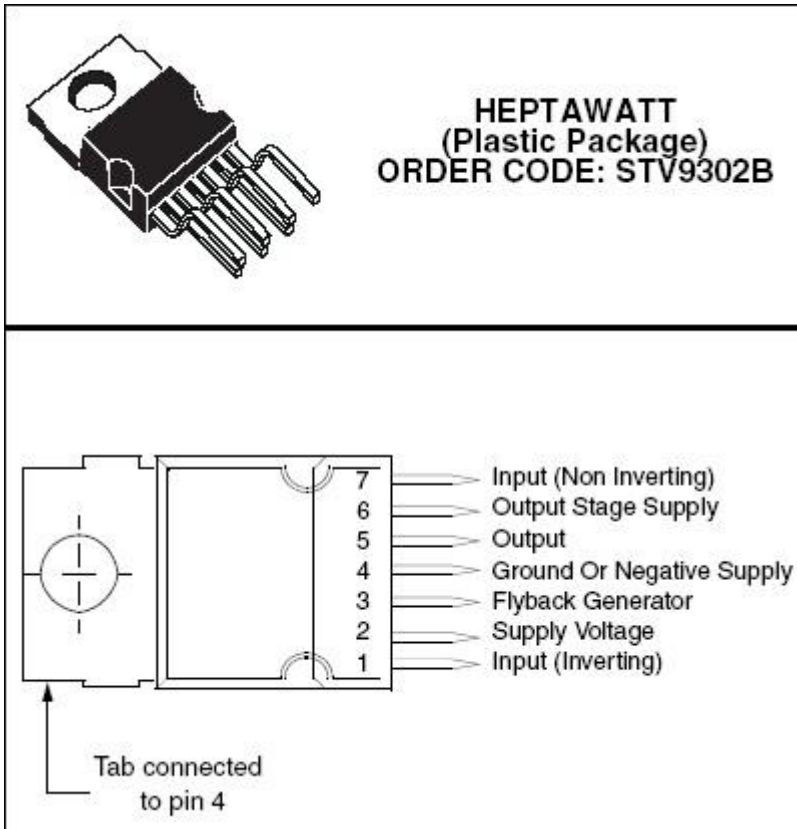
3.1.2 Description

The STV9302B is a vertical deflection booster designed for TV (50-60 Hz) applications.

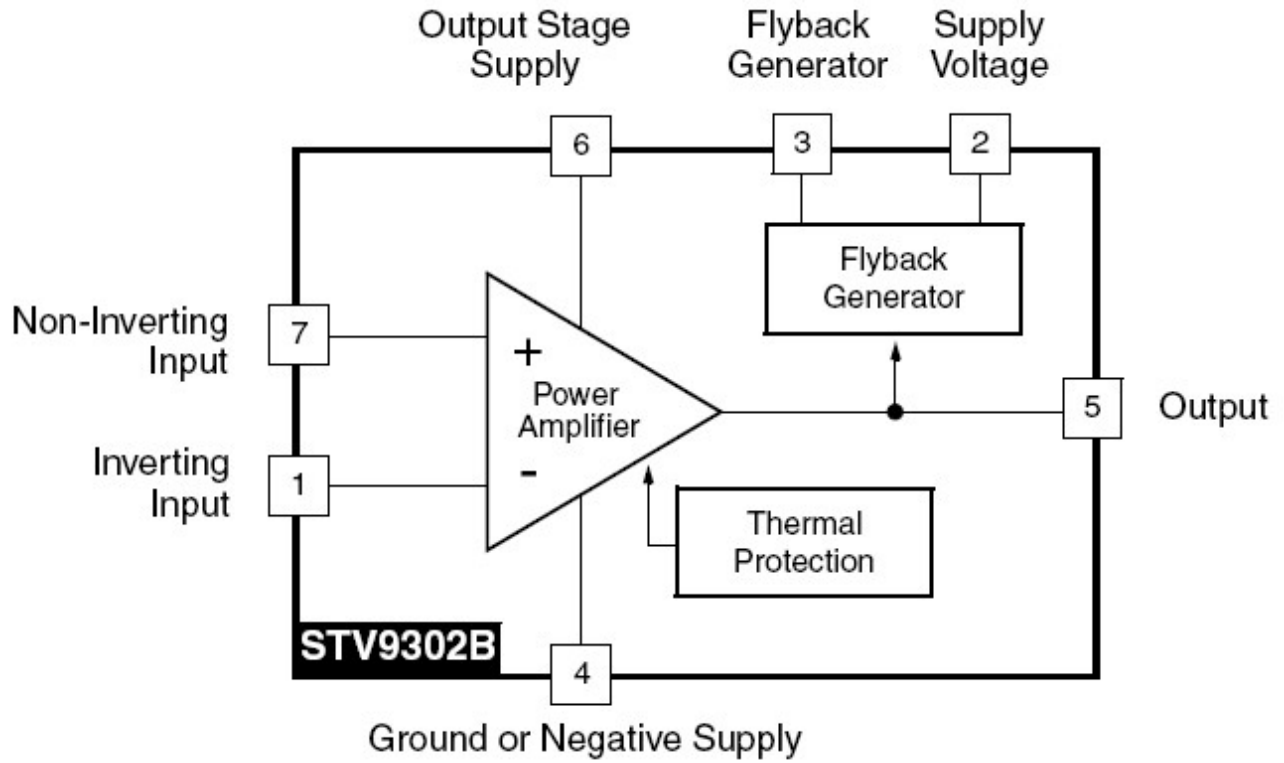
This device, supplied with up to 35 V, provides up to 2 App output current to drive the vertical deflection yoke.

The internal flyback generator delivers flyback voltages up to 70 V.

3.1.3 Pin Configuration



3.1.4 Internal Block Diagram



3.1.5 Absolute Maximum Ratings

SERVICE MANUAL

Symbol	Parameter	Value	Unit
Voltage			
V_S	Supply Voltage (pin 2) - Note 1 and Note 2	40	V
V_{S1}, V_E	Flyback Peak Voltage - Note 2	70	V
V_3	Voltage at Pin 3 - Note 2, Note 3 and Note 6	-0.4 to $(V_S + 3)$	V
V_{11}, V_7	Amplifier Input Voltage - Note 2, Note 6 and Note 7	-0.4 to $(V_S + 2)$ or +40	V
Current			
$I_O(1)$	Output Peak Current at $f = 50$ to 65 Hz, $t \leq 10 \mu s$ - Note 4	± 5	A
$I_O(2)$	Output Peak Current non-repetitive - Note 5	± 2	A
$I_3 \text{ sink}$	Sink Current, $t < 1$ ms - Note 3	1.5	A
$I_3 \text{ source}$	Source Current, $t < 1$ ms	1.5	A
I_3	Flyback pulse current at $f = 50$ to 65 Hz, $t \leq 10 \mu s$ - Note 4	± 5	A
ESD Susceptibility			
ESD1	Human body model (100 pF discharged through 1.5 k Ω)	2	kV
ESD2	EIAJ Standard (200 pF discharged through 0 Ω)	300	V
Temperature			
T_S	Storage Temperature	-40 to 150	$^{\circ}\text{C}$
T_J	Junction Temperature	+150	$^{\circ}\text{C}$

Note: 1. Usually the flyback voltage is slightly more than $2 \times V_S$. This must be taken into consideration when setting V_S .

2. Versus pin 4

3. V_3 is higher than V_S during the first half of the flyback pulse.

4. Such repetitive output peak currents are usually observed just before and after the flyback pulse.

5. This non-repetitive output peak current can be observed, for example, during the Switch-On/Switch-Off phases. This peak current is acceptable providing the SOA is respected (Figure 8 and Figure 9).

6. All pins have a reverse diode towards pin 4, these diodes should never be forward-biased.

7. Input voltages must not exceed the lower value of either $V_S + 2$ or 40 volts.

3.1.6 Electrical Characteristics

SERVICE MANUAL

($V_S = 32\text{ V}$, $T_{AMB} = 25^\circ\text{C}$, unless otherwise specified)

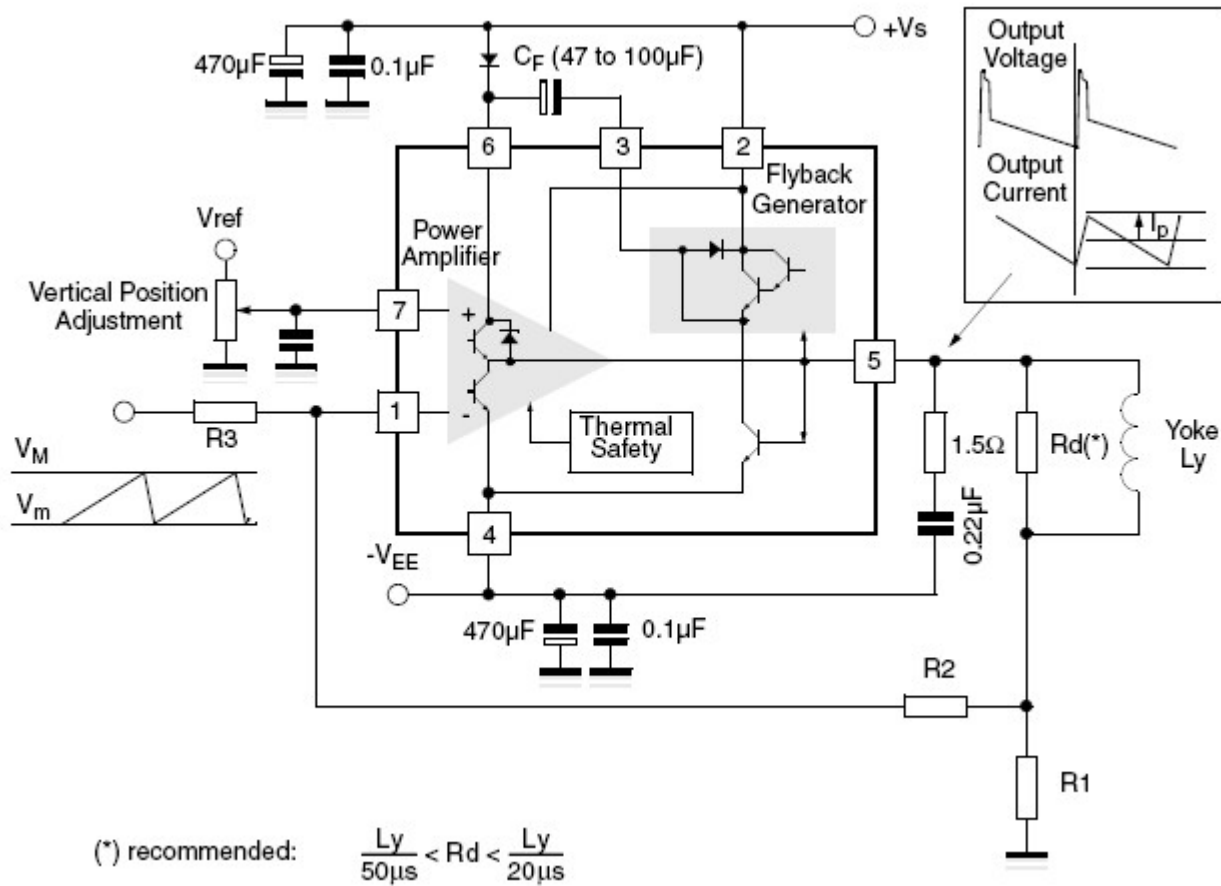
Symbol	Parameter	Test Conditions	Min.	Typ.	Max.	Unit	Fig.
Supply							
V_S	Operating Supply Voltage Range (V_2 - V_4)	Note 8	10		35	V	
I_2	Pin 2 Quiescent Current	$I_3 = 0, I_5 = 0$		5	20	mA	1
I_5	Pin 6 Quiescent Current	$I_3 = 0, I_5 = 0, V_6 = 35\text{V}$	8	19	50	mA	1
Input							
I_1	Input Bias Current	$V_1 = 1\text{ V}, V_7 = 2.2\text{ V}$		-0.6	-1.5	μA	1
I_7	Input Bias Current	$V_1 = 2.2\text{ V}, V_7 = 1\text{ V}$		-0.6	-1.5	μA	
V_{IR}	Operating Input Voltage Range		0		$V_S - 2$	V	
V_{IO}	Offset Voltage			2		mV	
$\Delta V_{IO}/dt$	Offset Drift versus Temperature			10		$\mu\text{V}/^\circ\text{C}$	
Output							
I_O	Operating Peak Output Current	$f = 50\text{ to }60\text{ Hz}$			± 1	A	
V_{5L}	Output Saturation Voltage to pin 4	$I_5 = 1\text{ A}$		1	1.7	V	3
V_{5H}	Output Saturation Voltage to pin 6	$I_5 = -1\text{ A}$		1.8	2.3	V	2
Miscellaneous							
G	Voltage Gain		80			dB	
V_{D5-6}	Diode Forward Voltage Between pins 5-6	$I_5 = 1\text{ A}$		1.4	2	V	
V_{D3-2}	Diode Forward Voltage between pins 3-2	$I_3 = 1\text{ A}$		1.3	2	V	
V_{3SL}	Saturation Voltage on pin 3	$I_3 = 20\text{ mA}$		0.4	1	V	3
V_{3SH}	Saturation Voltage to pin 2 (2nd part of flyback)	$I_3 = -1\text{ A}$		2.1		V	

8. In normal applications, the peak flyback voltage is slightly greater than $2 \times (V_S - V_4)$. Therefore, $(V_S - V_4) = 35\text{ V}$ is not allowed without special circuitry.

3.1.7 DC-coupled Application

The yoke can be coupled either in AC or DC. IN our TV, it is DC-coupled application.

When DC coupled , the display vertical position can be adjusted with input bias. On the other hand, 2 supply sources (V_S and $-V_{EE}$) are required.



For calculations, treat the IC as an op-amp, where the feedback loop maintains $V_1 = V_7$.

3.1.7.1 Centering

Display will be centered (null mean current in yoke) when voltage on pin 7 is (R_1 is negligible):

$$V_7 = \frac{V_M + V_m}{2} \times \left(\frac{R_2}{R_2 + R_3} \right)$$

3.1.7.2 Peak Current

$$I_P = \frac{(V_M - V_m)}{2} \times \frac{R_2}{R_1 \times R_3}$$

Example: for $V_m = 2\text{ V}$, $V_M = 5\text{ V}$ and $I_P = 1\text{ A}$

Choose R_1 in the $1\ \Omega$ range, for instance $R_1 = 1\ \Omega$

From equation of peak current:
$$\frac{R_2}{R_3} = \frac{2 \times I_P \times R_1}{V_M - V_m} = \frac{2}{3}$$

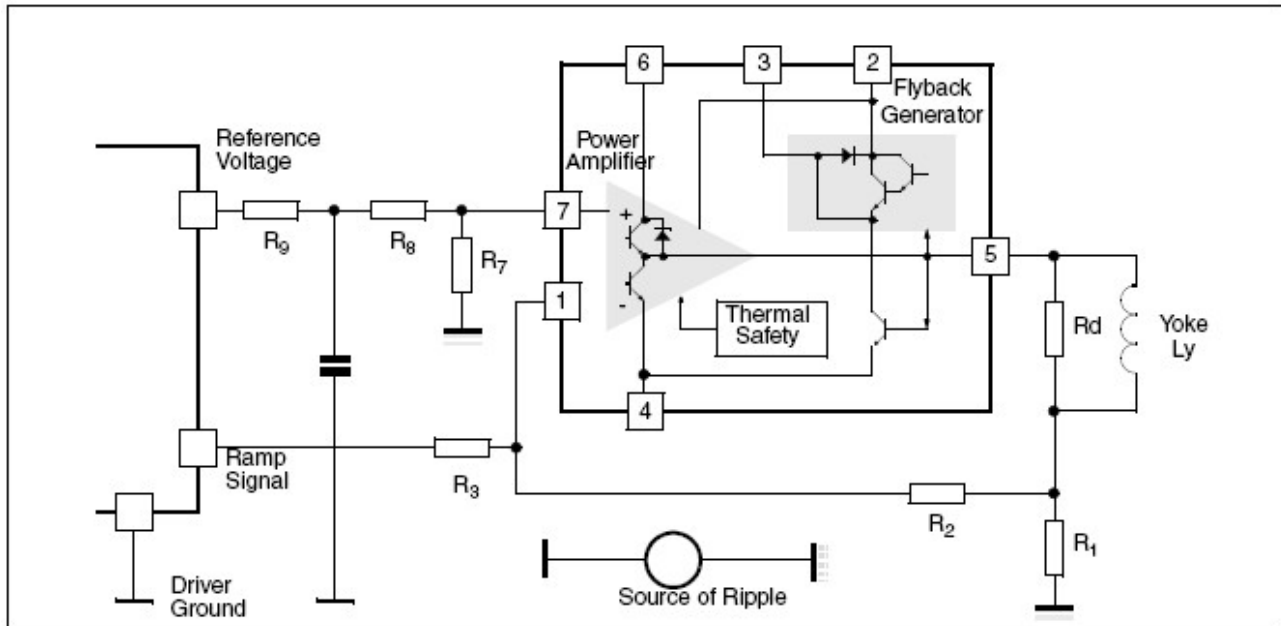
Then choose R_2 or R_3 . For instance, if $R_2 = 10\text{ k}\Omega$ then $R_3 = 15\text{ k}\Omega$

Finally, the bias voltage on pin 7 should be:

$$V_7 = \frac{V_M + V_m}{2} \times \frac{1}{1 + \frac{R_3}{R_2}} = \frac{7}{2} \times \frac{1}{2.5} = 1.4\text{ V}$$

3.1.7.3 Ripple Rejection

When both ramp signal and bias are provided by the same driver IC, you can gain natural rejection of any ripple caused by a voltage drop in the ground, if you manage to apply the same fraction of ripple voltage to both booster inputs. For that purpose, arrange an intermediate point in the bias resistor bridge, such that $(R_8 / R_7) = (R_3 / R_2)$, and connect the bias filtering capacitor between the intermediate point and the local driver ground. Of course, R_7 should be connected to the booster reference point, which is the ground side of R_1 .



3.2 STV8172A (used in TV Model 29F08) and STV9325 (used in TV Model 21SL39)

SERVICE MANUAL

STV8172A and STV9325 are the same as STV9302B, they are pin to pin compatible. They are different from the output current only. STV9302B can output current up to 2Ap-p, STV9325 can output current up to 2.5Ap-p, but STV8172A can output current up to 3Ap-p.

4. AUDIO POWER AMPLIFIER (N202)

4.1 TDA2615 (used in TV Model 1402/2108/21F08/21SL39)

TDA2615 is a 2 X 6 W hi-fi audio power amplifier.

4.1.1 Features

- . Requires very few external components
- . No switch-on/switch-off clicks
- . Input mute during switch-on and switch-off
- . Low offset voltage between output and ground
- . Excellent gain balance of both amplifiers
- . Hi-fi in accordance with “IEC 268” and “DIN 45500”
- . Short-circuit proof and thermal protected
- . Mute possibility.

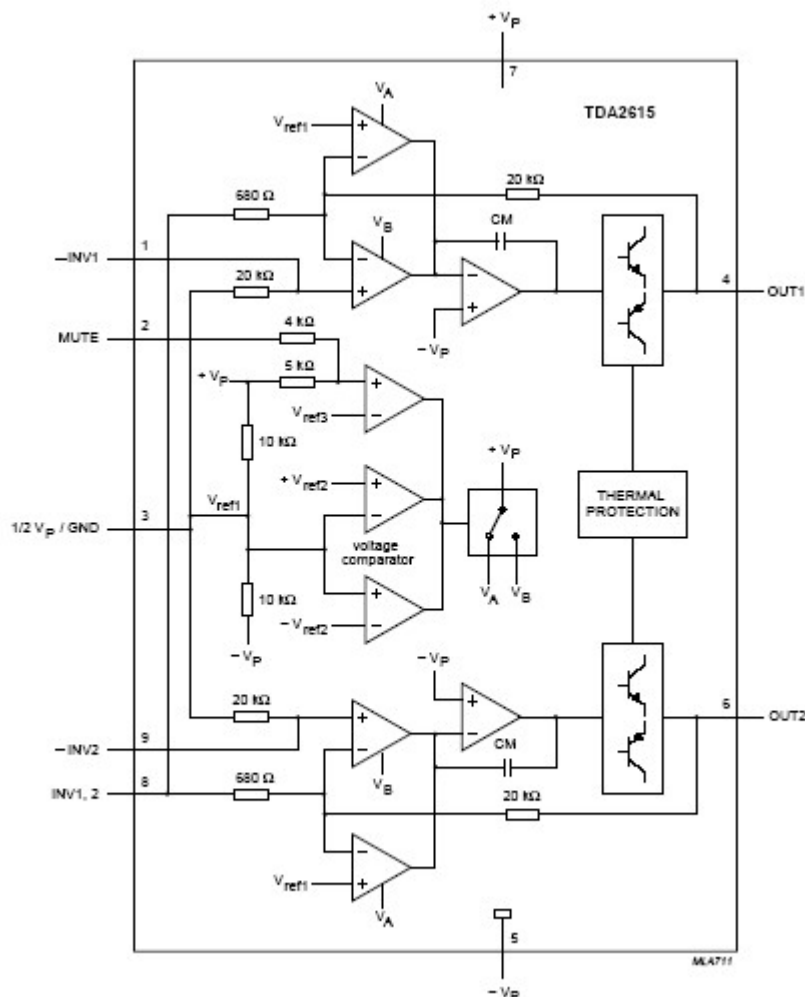
4.1.2 General Description

The TDA2615 is a dual power amplifier in a 9-lead plastic single-in-line (SIL9MPF) medium power package. It has been especially designed for mains fed applications, such as stereo radio and stereo TV.

4.1.3 Quick Reference Data

SYMBOL	PARAMETER	CONDITIONS	MIN.	TYP.	MAX.	UNIT
$\pm V_P$	supply voltage range		7.5	–	21	V
P_O	output power	$V_S = \pm 12 \text{ V}$; THD = 0.5%	–	6	–	W
G_V	internal voltage gain		–	30	–	dB
$ G_V $	channel unbalance		–	0.2	–	dB
α	channel separation		–	70	–	dB
SVRR	supply voltage ripple rejection		–	60	–	dB
V_{no}	noise output voltage		–	70	–	μV

4.1.4 Block Diagram



4.1.5 Functional Description

The TDA2615 is a hi-fi stereo amplifier designed for mains fed applications, such as stereo radio and stereo TV. The circuit is optimally designed for symmetrical power supplies, but is also well-suited to asymmetrical power supply systems.

An output power of 2 – 6 W (THD = 0.5%) can be delivered into an 8 Ω load with a symmetrical power supply of ±12 V. The gain is internally fixed at 30 dB, thus offering a low gain spread and a very good gain balance between the two amplifiers (0.2 dB).

A special feature is the input mute circuit. This circuit disconnects the non-inverting inputs when the supply voltage drops below 6 V, while the amplifier still retains its DC operating adjustment. The circuit features suppression of unwanted signals at the inputs, during switch-on and switch-off.

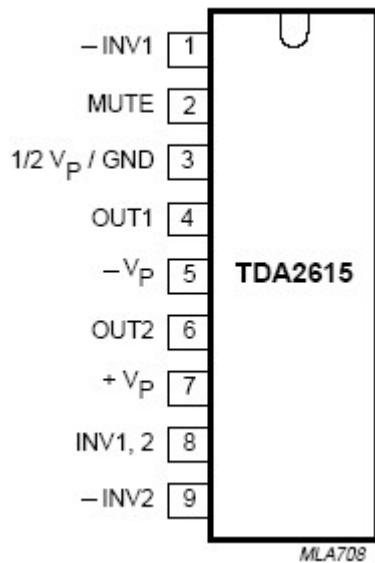
The mute circuit can also be activated via pin 2. When a current of 300 mA is present at pin 2,

the circuit is in the mute condition.

The device is provided with two thermal protection circuits. One circuit measures the average temperature of the crystal and the other measures the momentary temperature of the power transistors. These control circuits attack at temperatures in excess of +150 °C, so a crystal operating temperature of max. +150 °C can be used without extra distortion.

With the derating value of 6 K/W, the heatsink can be calculated as follows:
at $R_L = 8 \Omega$ and $V_S = 12 \text{ V}$, the measured maximum dissipation is 7.8 W.

4.1.6 Pin Configuration



4.1.7 Pinning

SYMBOL	PIN	DESCRIPTION
-INV1	1	non-inverting input 1
MUTE	2	mute input
$\frac{1}{2}V_P/GND$	3	$\frac{1}{2}$ supply voltage or ground
OUT1	4	output 1
$-V_P$	5	supply voltage (negative)
OUT2	6	output 2
$+V_P$	7	supply voltage (positive)
INV1, 2	8	inverting input 1 and 2
-INV2	9	non-inverting input 2

4.2 TDA2616(Q) (used in TV Model 29F08)

TDA2616(Q) is a 2 x 12 W hi-fi audio power amplifiers. The TDA2616 and TDA2616Q are dual power amplifiers. The TDA2616 is supplied in a 9-lead single-in-line (SIL9) plastic power package (SOT131), and is pin to pin compatible with TDA2615, while the TDA2616Q is supplied in a 9-lead SIL-bent-to-DIL plastic power package (SOT157). They have been especially designed for mains fed applications, such as stereo radio and stereo TV.

5. EEPROM 24C16 (N602)

5.1 Features

- Write Protect Pin for Hardware Data Protection
- Utilizes Different Array Protection Compared to the AT24C16A
- Low-voltage and Standard-voltage Operation
- 2.7 (VCC = 2.7V to 5.5V)
- Internally Organized 2048 x 8 (16K)
- 2-wire Serial Interface
- Schmitt Trigger, Filtered Inputs for Noise Suppression
- Bi-directional Data Transfer Protocol
- 400 kHz (2.7V) Clock Rate for AT24C16A
- 16-byte Page Write Modes
- Partial Page Writes are Allowed

- Self-timed Write Cycle (10 ms Max)
- High Reliability
 - Endurance: One Million Write Cycles
 - Data Retention: 100 Years
- Automotive Grade, Extended Temperature and Lead-Free Devices Available
- 8-lead PDIP Packages

5.2 Description

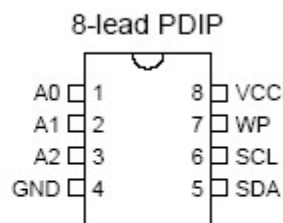
The AT24C16A provides 16384 bits of serial electrically erasable and programmable read only memory (EEPROM) organized as 2048 words of 8 bits each. In the AT24C16A, the 16K is internally organized with 128 pages of 16 bytes each. Random word addressing requires an 11-bit data word address.

The device is optimized for use in many industrial and commercial applications where low power and low voltage operation are essential. The AT24C16A is available in space saving 8-lead PDIP package and is accessed via a 2-wire serial interface. In addition, the AT24C16A is available in 2.7V (2.7V to 5.5V) supply.

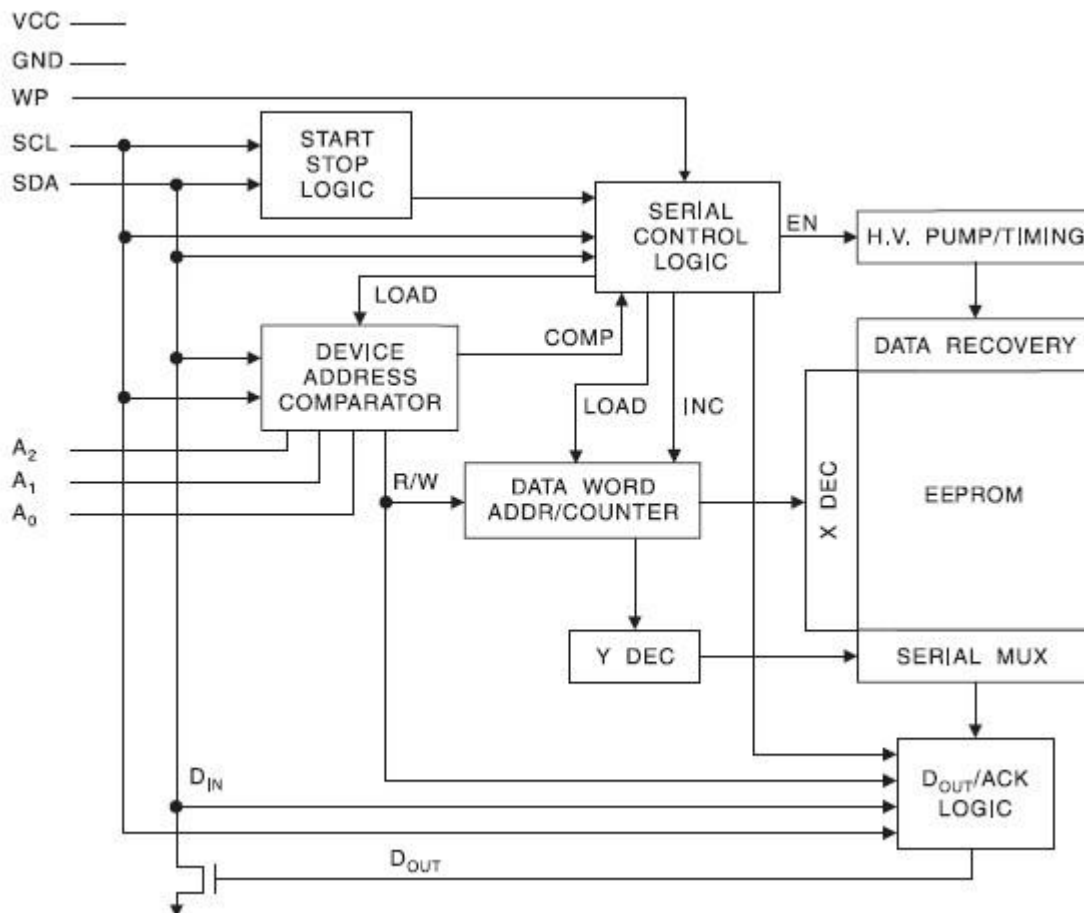
5.3 Pin Configurations

Pin Configurations

Pin Name	Function
A0 - A2	Address Inputs
SDA	Serial Data
SCL	Serial Clock Input
WP	Write Protect
NC	No-connect



5.4 Block Diagram



5.5 Pin Description

SERIAL CLOCK (SCL): The SCL input is used to positive edge clock data into each EEPROM device and negative edge clock data out of each device.

SERIAL DATA (SDA): The SDA pin is bidirectional for serial data transfer. This pin is open-drain driven and may be wire-ORed with any number of other open-drain or open collector devices.

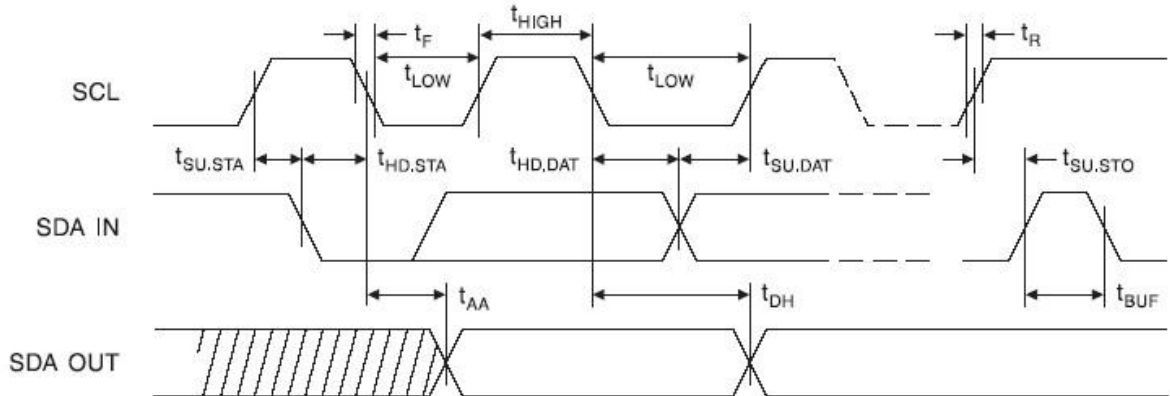
DEVICE/PAGE ADDRESSES (A2, A1, A0): The A2, A1 and A0 pins are device address inputs. The AT24C16A does not use the device address pins, which limits the number of devices on a single bus to one. The A0, A1 and A2 pins are no-connects.

WRITE PROTECT (WP): The AT24C16A has a Write Protect pin that provides hardware data protection. The Write Protect pin allows normal read/write operations when connected to ground (GND). When the Write Protect pin is connected to VCC, the write protection feature is enabled and operates as shown in the following table.

5.6 Device Operation

Clock and Data Transitions: The SDA pin is normally pulled high with an external device. Data on the SDA pin may change only during SCL low time periods. Data changes during SCL high periods will indicate a start or stop condition as defined below.

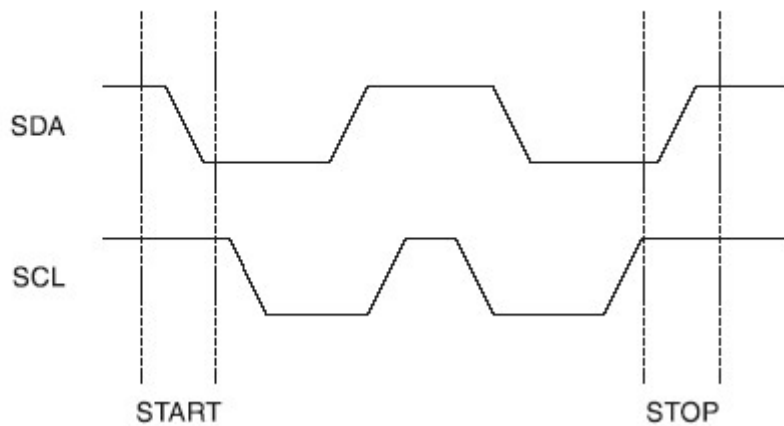
Bus Timing (SCL: Serial Clock, SDA: Serial Data I/O)



Start Condition: A high-to-low transition of SDA with SCL high is a start condition which must precede any other command.

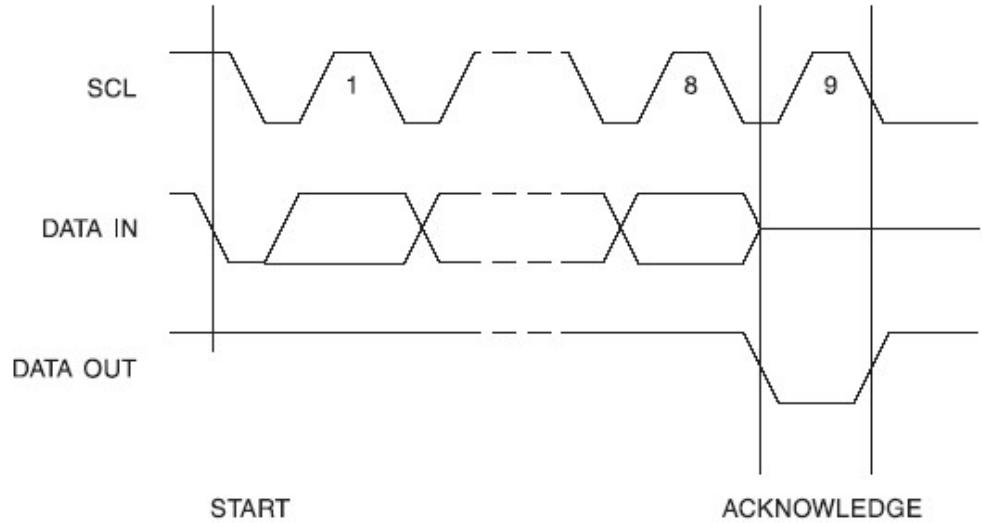
Stop Condition: A low-to-high transition of SDA with SCL high is a stop condition. After a read sequence, the stop command will place the EEPROM in a standby power mode.

Start and Stop Definition



Acknowledge: All addresses and data words are serially transmitted to and from the EEPROM in 8 bit words. The EEPROM sends a zero to acknowledge that it has received each word. This happens during the ninth clock cycle.

Output Acknowledge

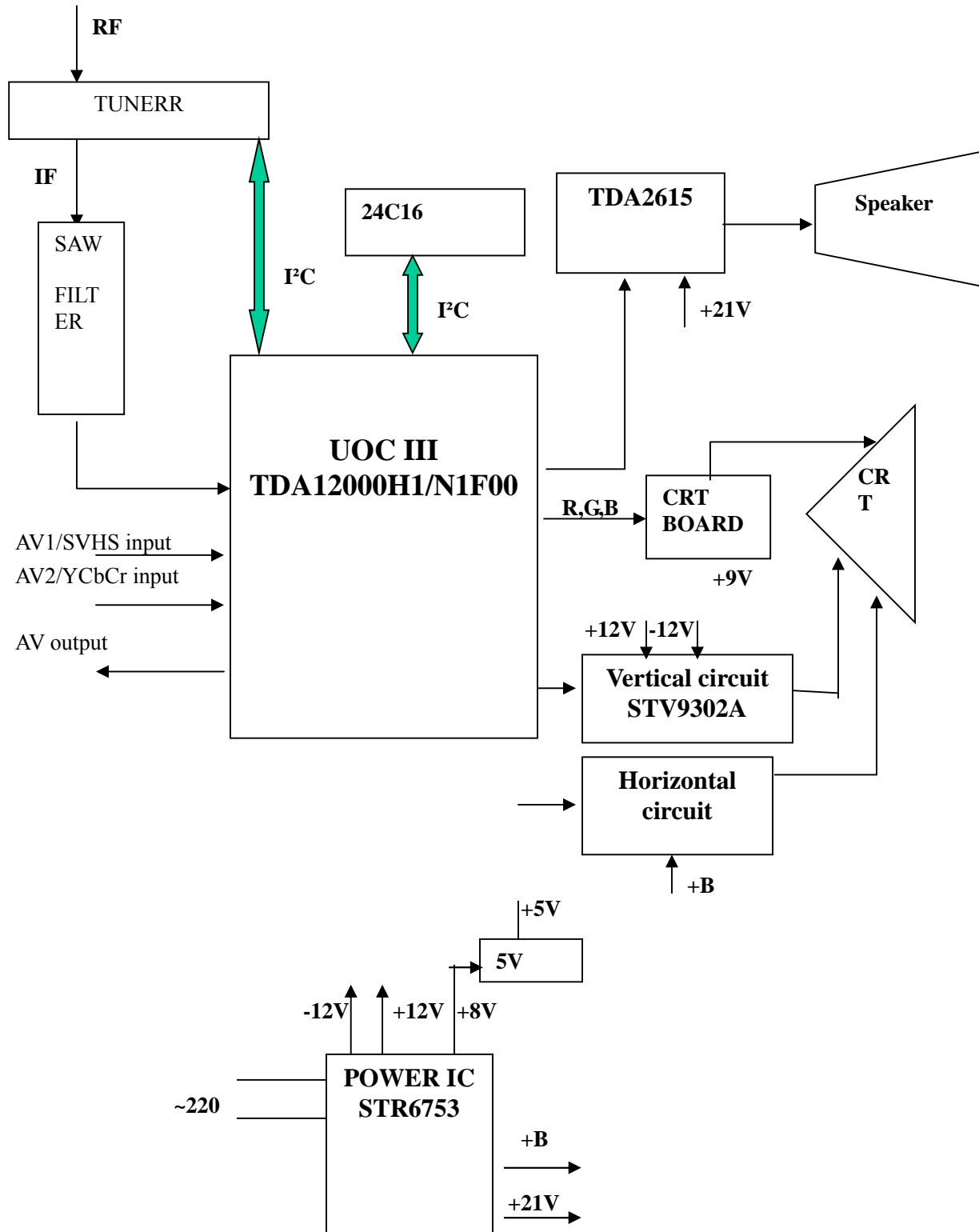


Standby Mode: The AT24C16A features a low power standby mode which is enabled: (a) upon power-up and (b) after the receipt of the STOP bit and the completion of any internal operations.

Memory Reset: After an interruption in protocol, power loss or system reset, any 2-wire part can be reset by following these steps: (a) Clock up to 9 cycles, (b) look for SDA high in each cycle while SCL is high and then (c) create a start condition as SDA is high.

TV BLOCK DIAGRAM

SERVICE MANUAL

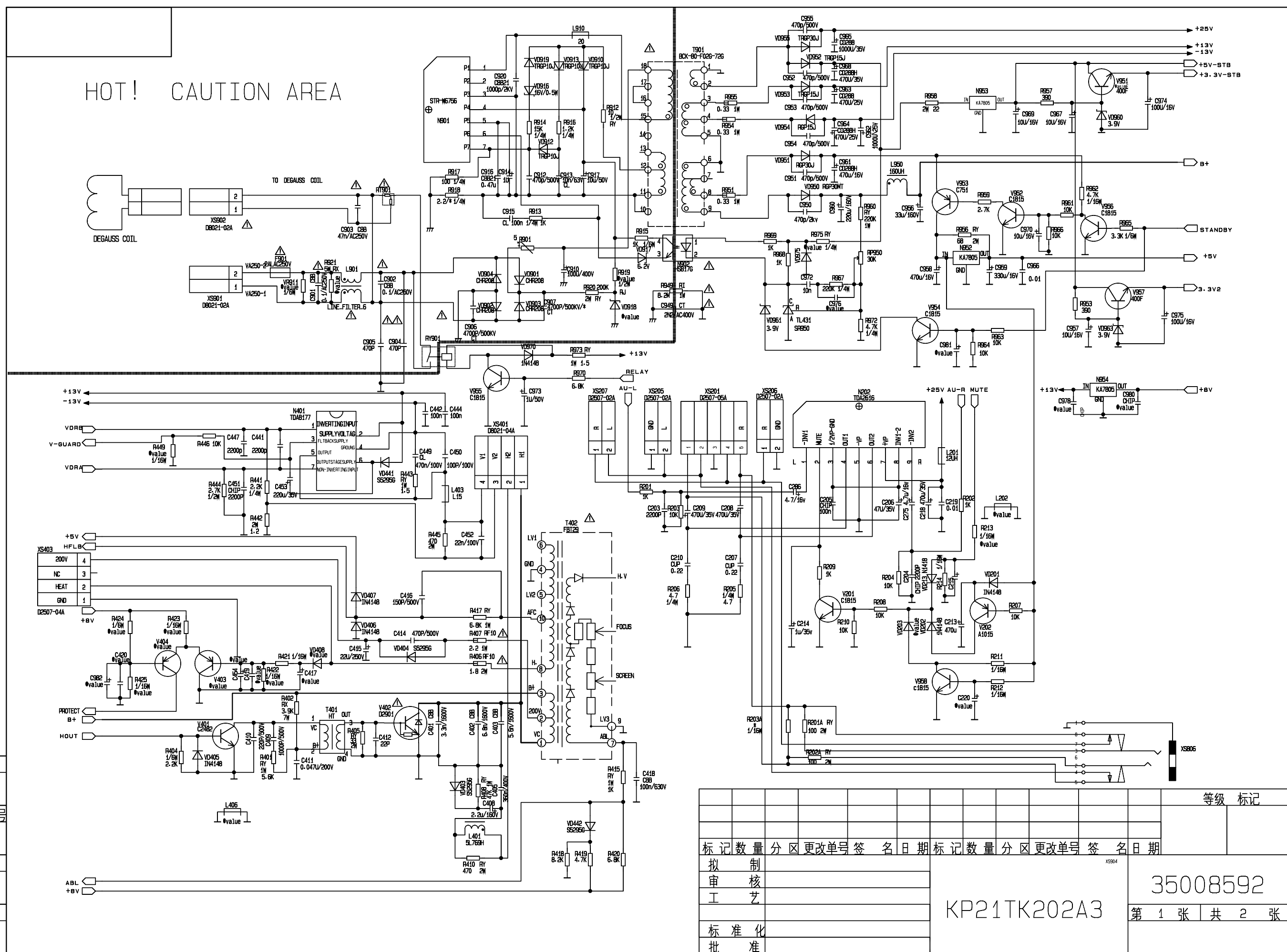


Appendix 1: Schematic Circuit Diagram

Appendix 2: PCB Layout Diagram

Appendix 3: Exploded Views

HOT! CAUTION AREA



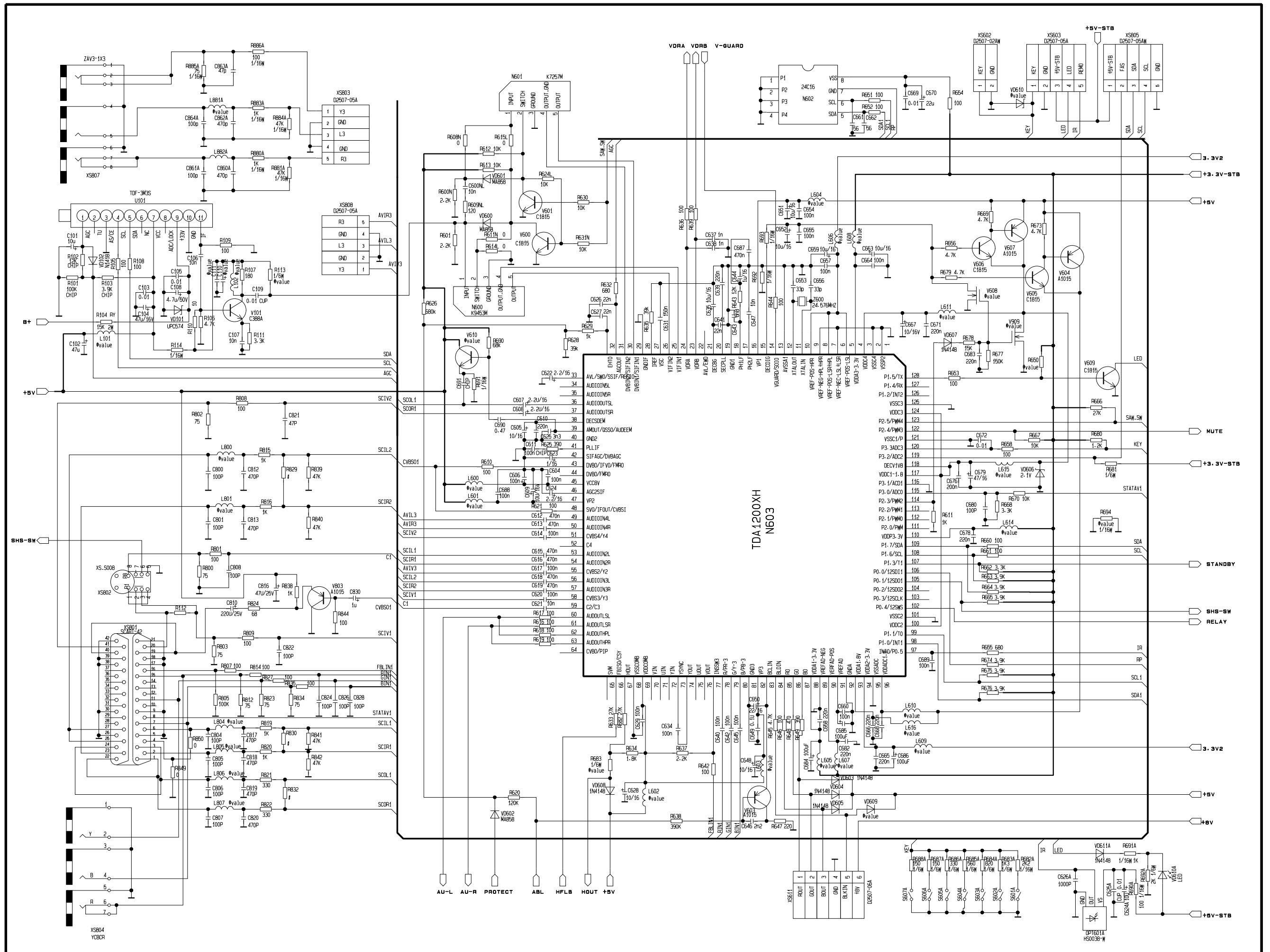
媒体编号	
旧底图总号	
底图总号	
日期	签名

标记数量		分区分更改单号		签名日期		标记数量		分区分更改单号		签名日期		等级	标记
拟制													
审核													
工艺													
标准化													
批准													

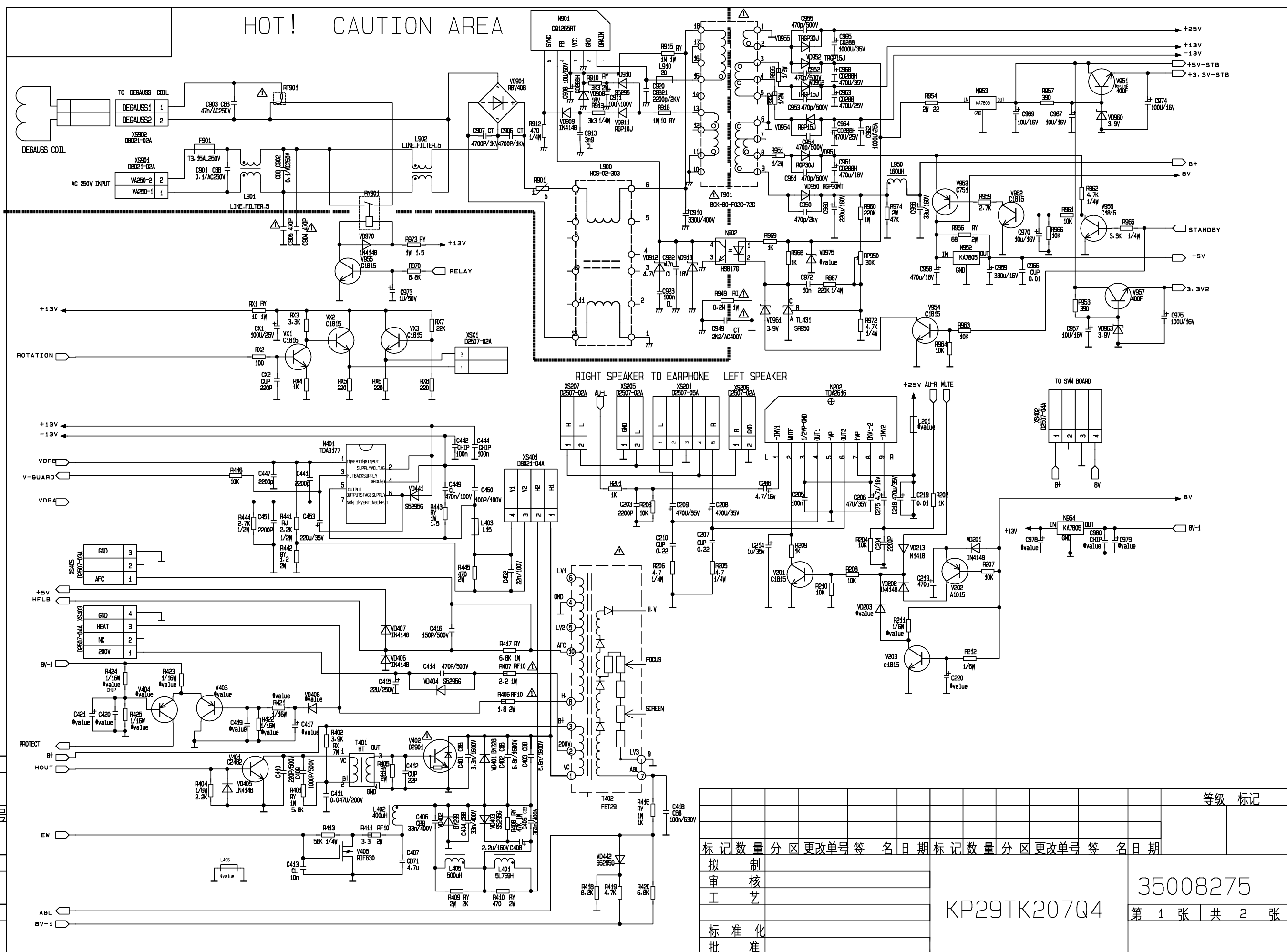
35008592
第 1 张 | 共 2 张

KP21TK202A3

制图: 幅面: 3



HOT! CAUTION AREA



媒体编号	
旧底图总号	
底图总号	
日期	签名

标记数量		分 区		更改单号		签 名		日期		等级		标记	
拟	制												
审	核												
工	艺												
标	准												
批	准												

35008275

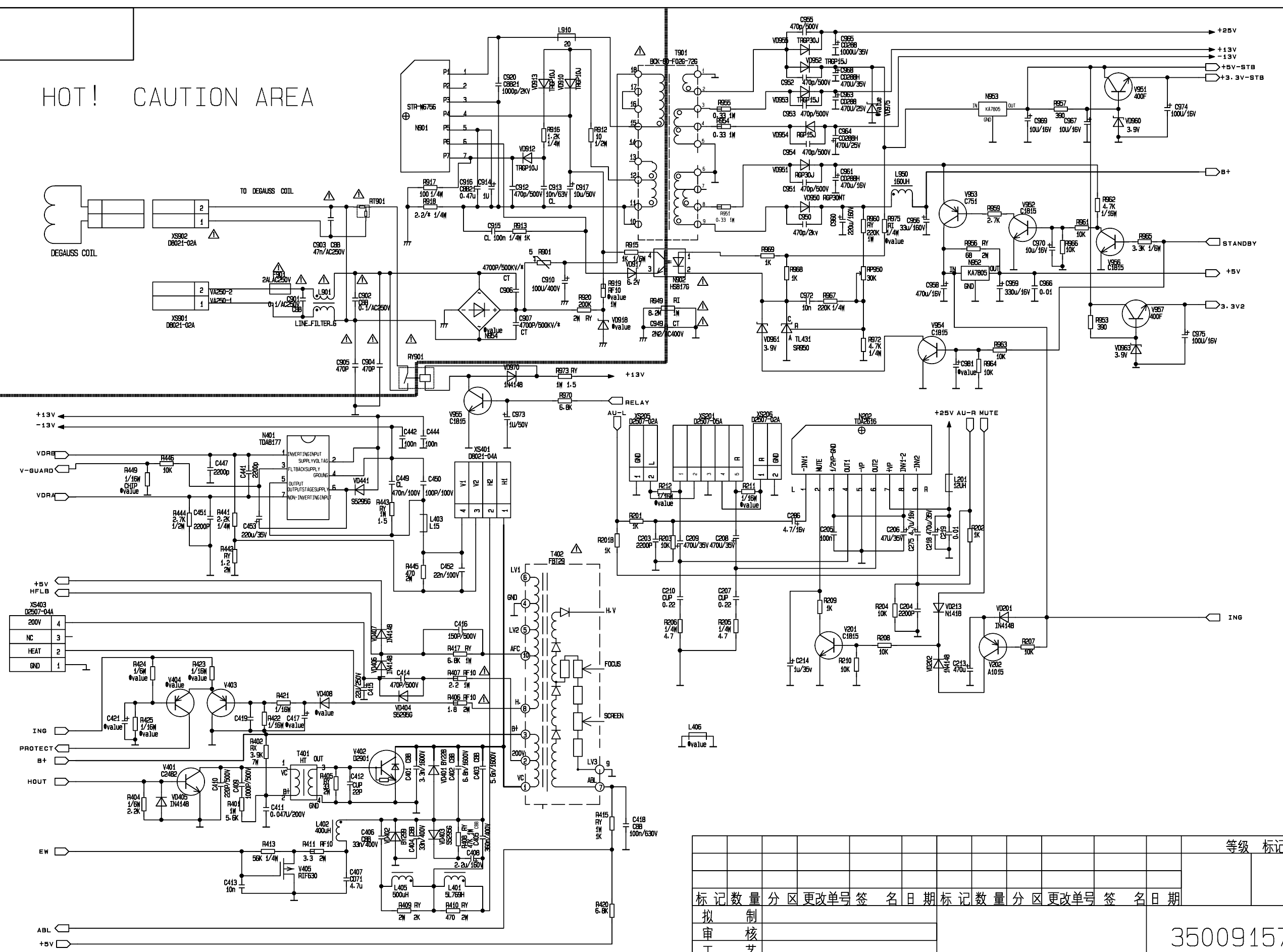
KP29TK207Q4

第 1 张 | 共 2 张

制图:

幅面: 3

HOT! CAUTION AREA



媒体编号	
旧底图总号	
底图总号	
日期	签名

								等级	标记				
标记数量	分	区	更改单号	签	名	日期	标记数量	分	区	更改单号	签	名	日期
拟	制												
审	核												
工	艺												
标	准												
批	准												

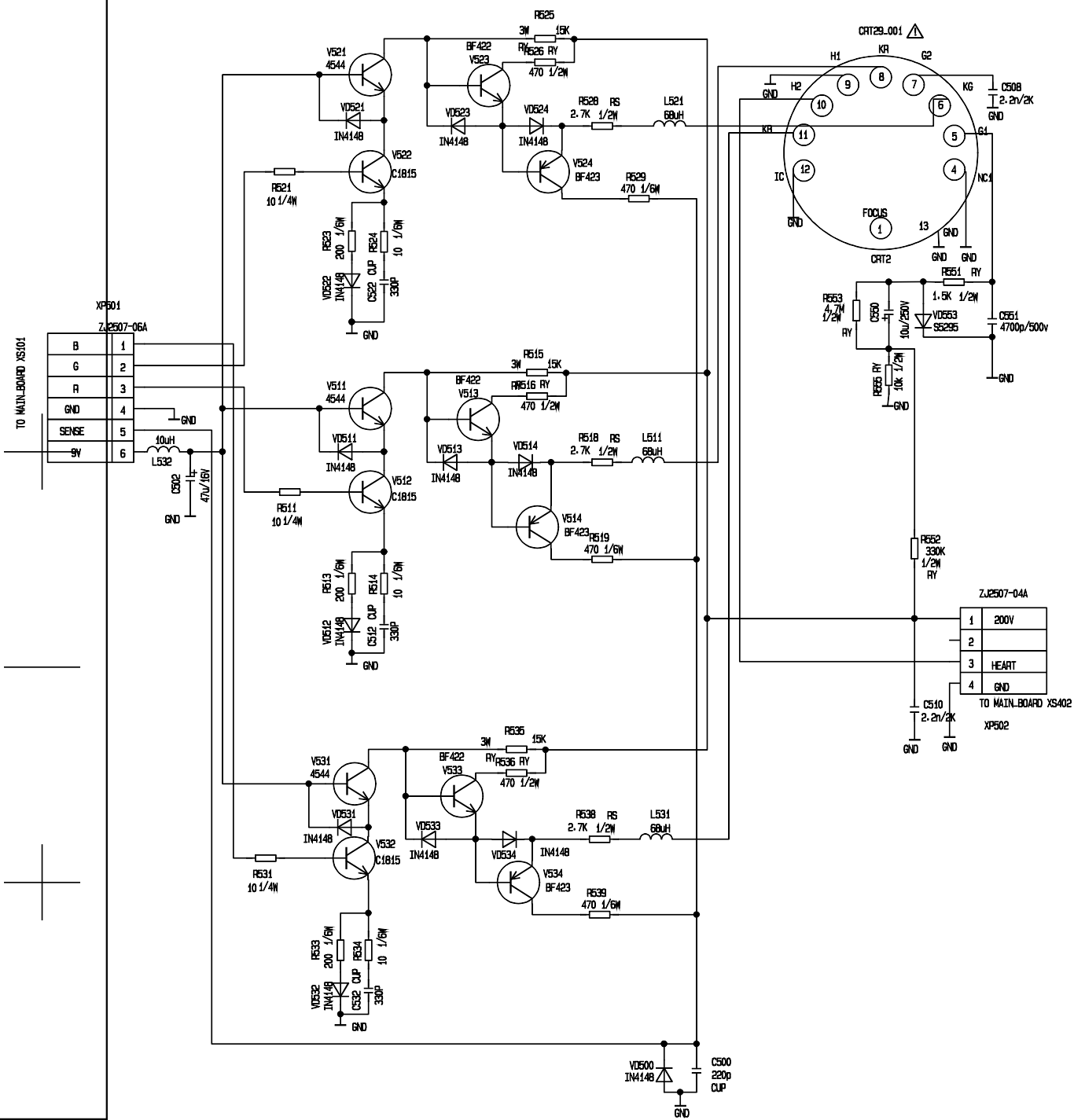
KS21TK391S

35009157

第 1 张 | 共 2 张

制图:

幅面: 3



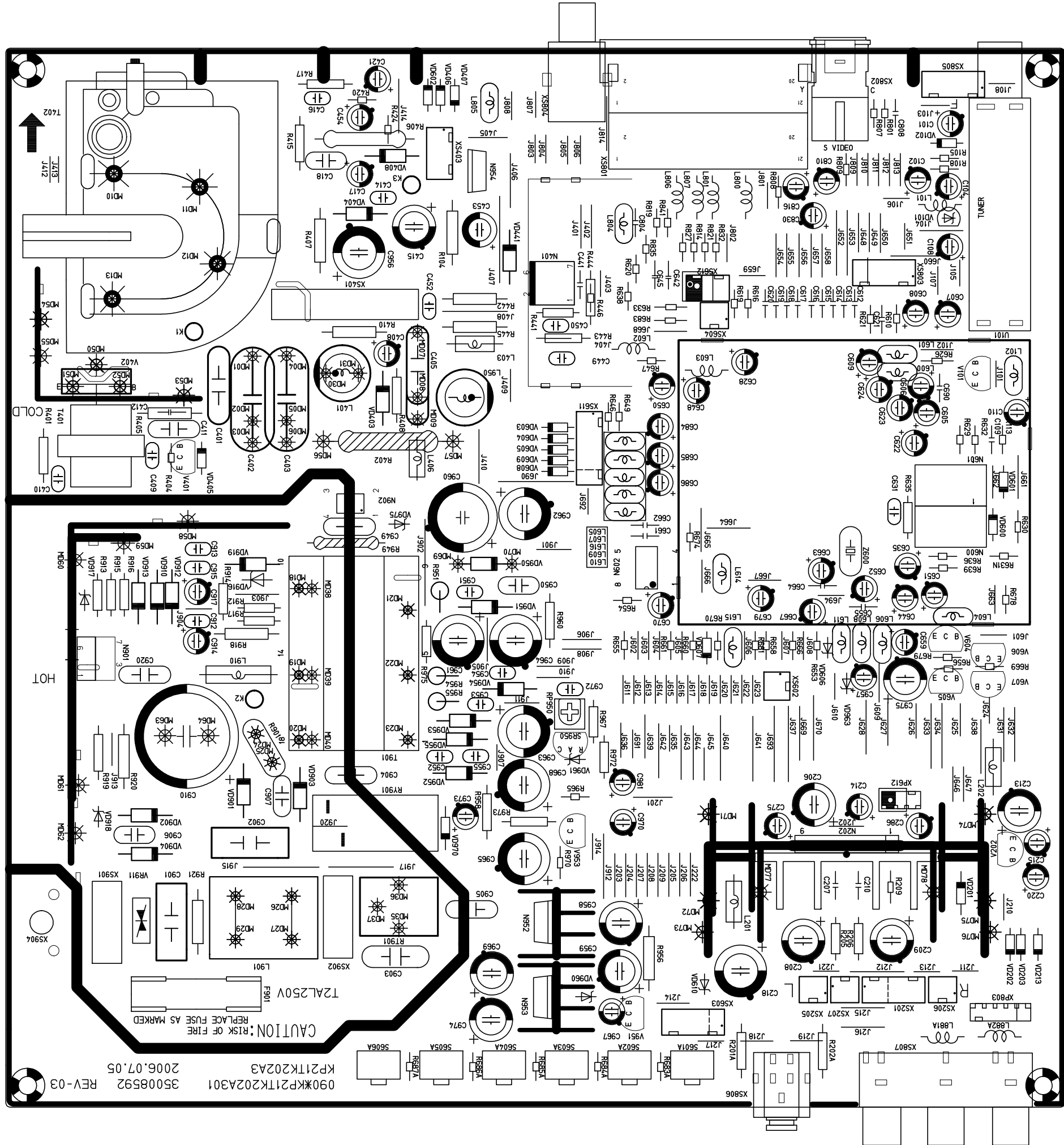
媒体编号

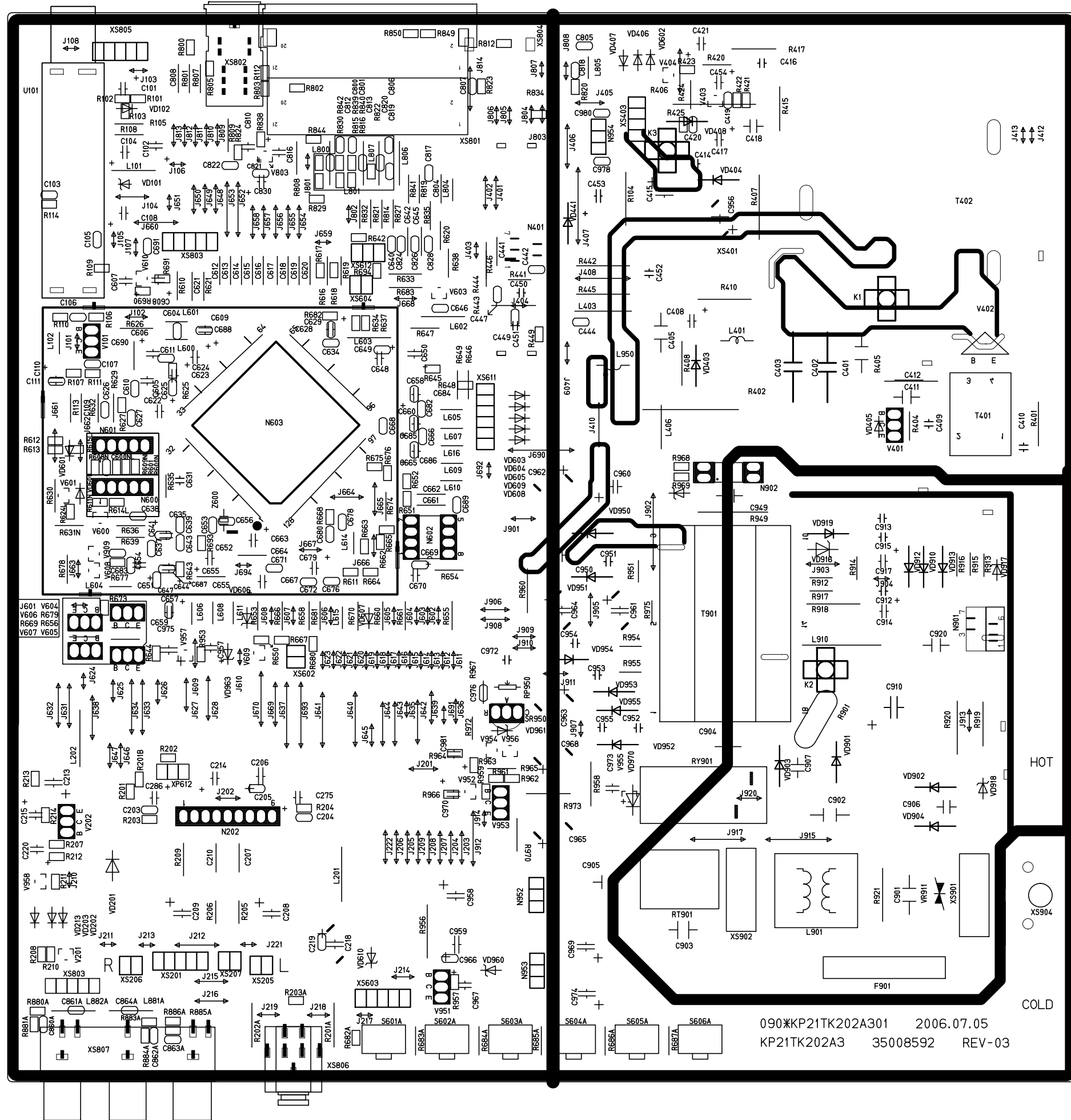
						等级 标记			
旧底图总号									
标记数量			分 区 更改单号 签 名 日期			标记数量 分 区 更改单号 签 名 日期			
底图总号		拟 制							
		审 核							
		工 艺							
日期 签名						第 张		共 张	
		标 准 化							
		批 准							

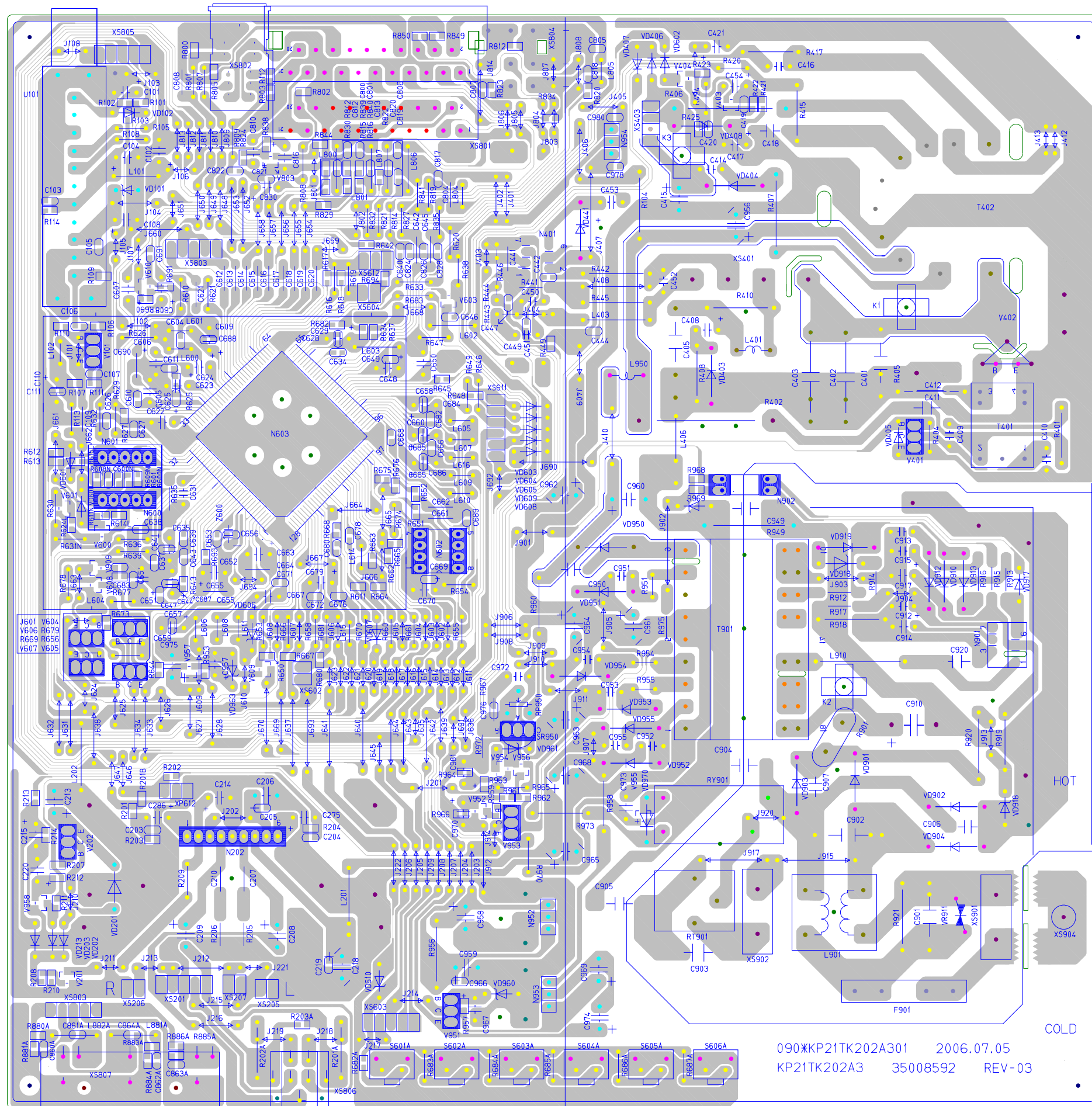
格式(3)

制图:

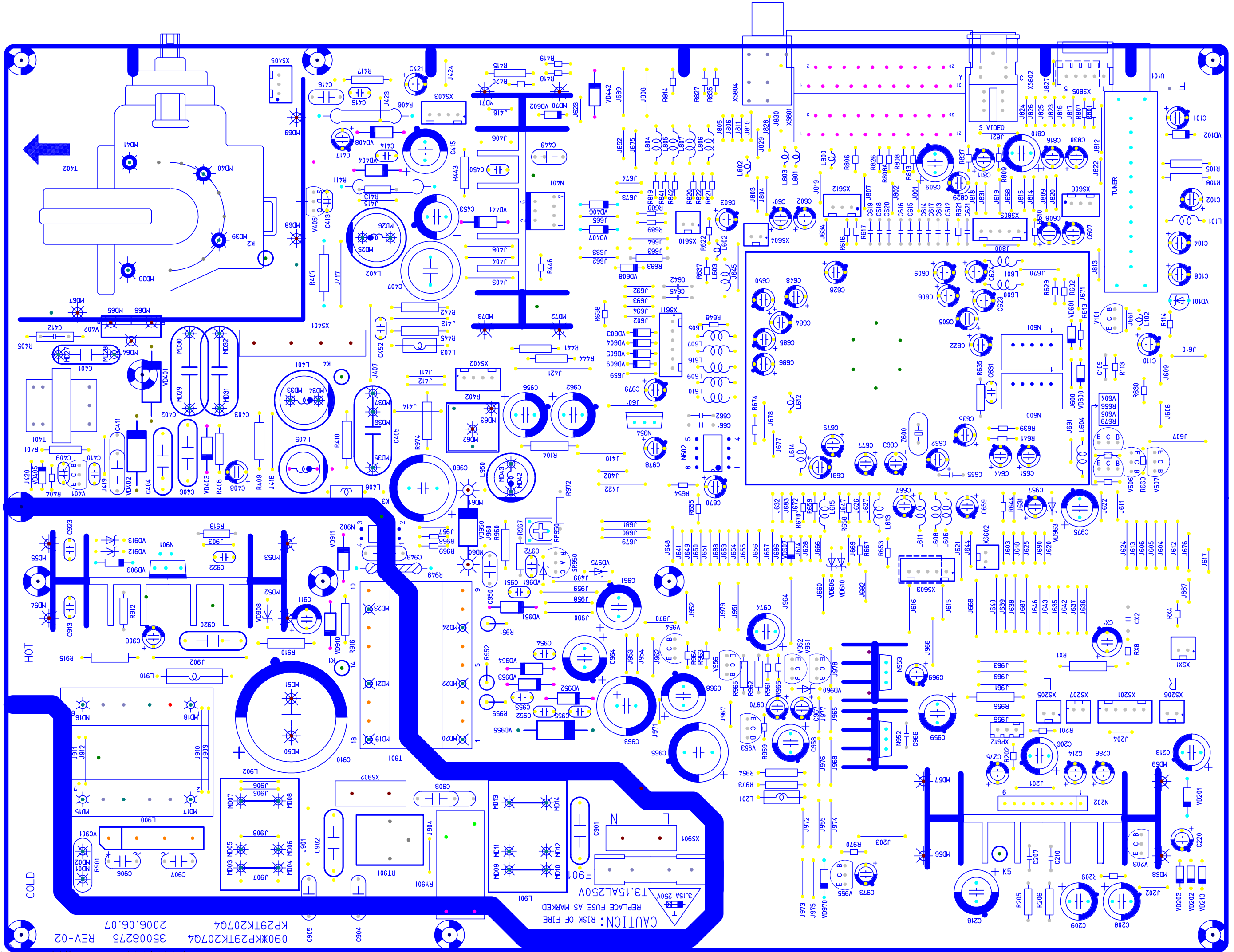
幅面: 4







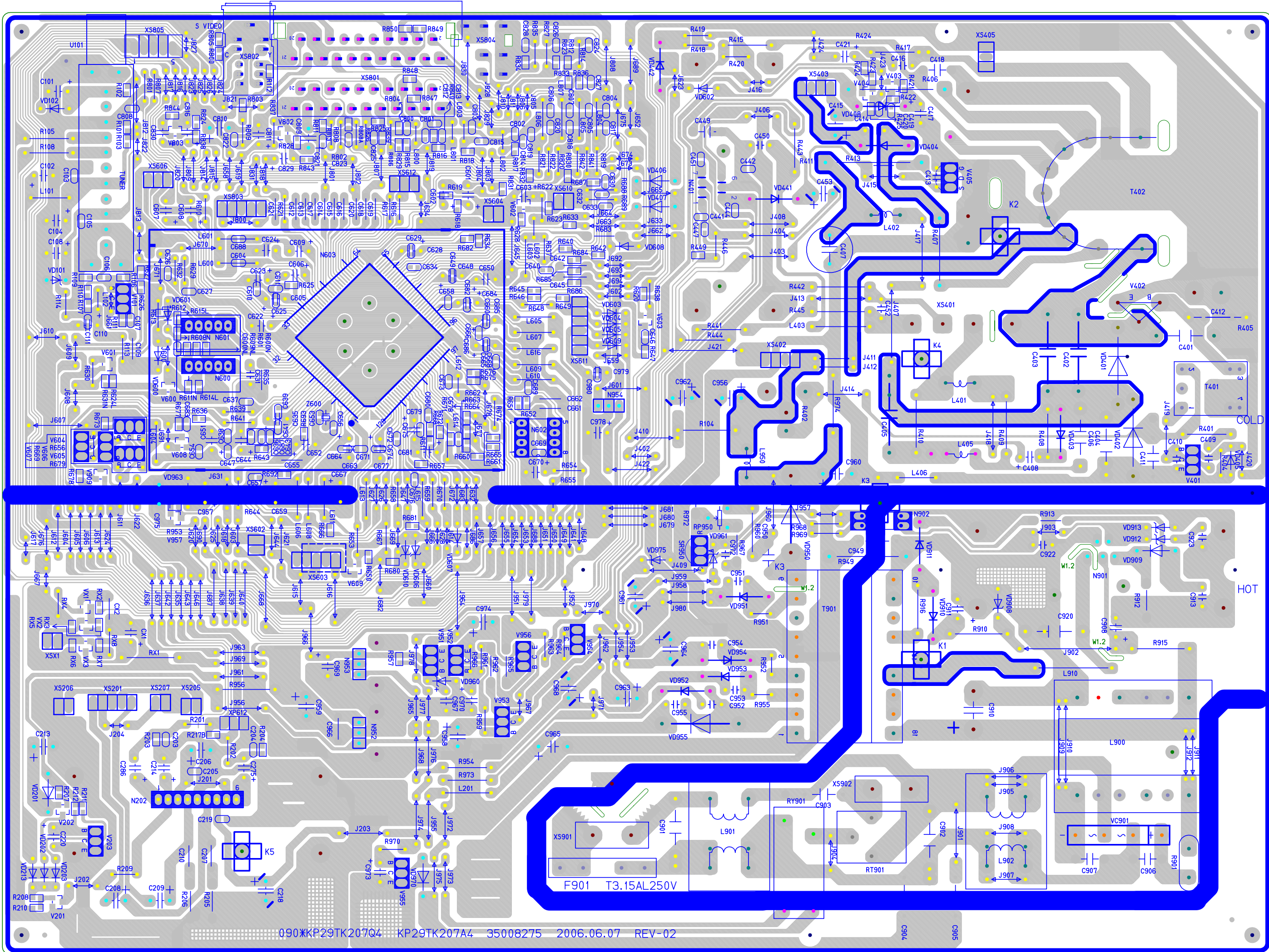
090JKP21TK202A301 2006.07.05
 KP21TK202A3 35008592 REV-03

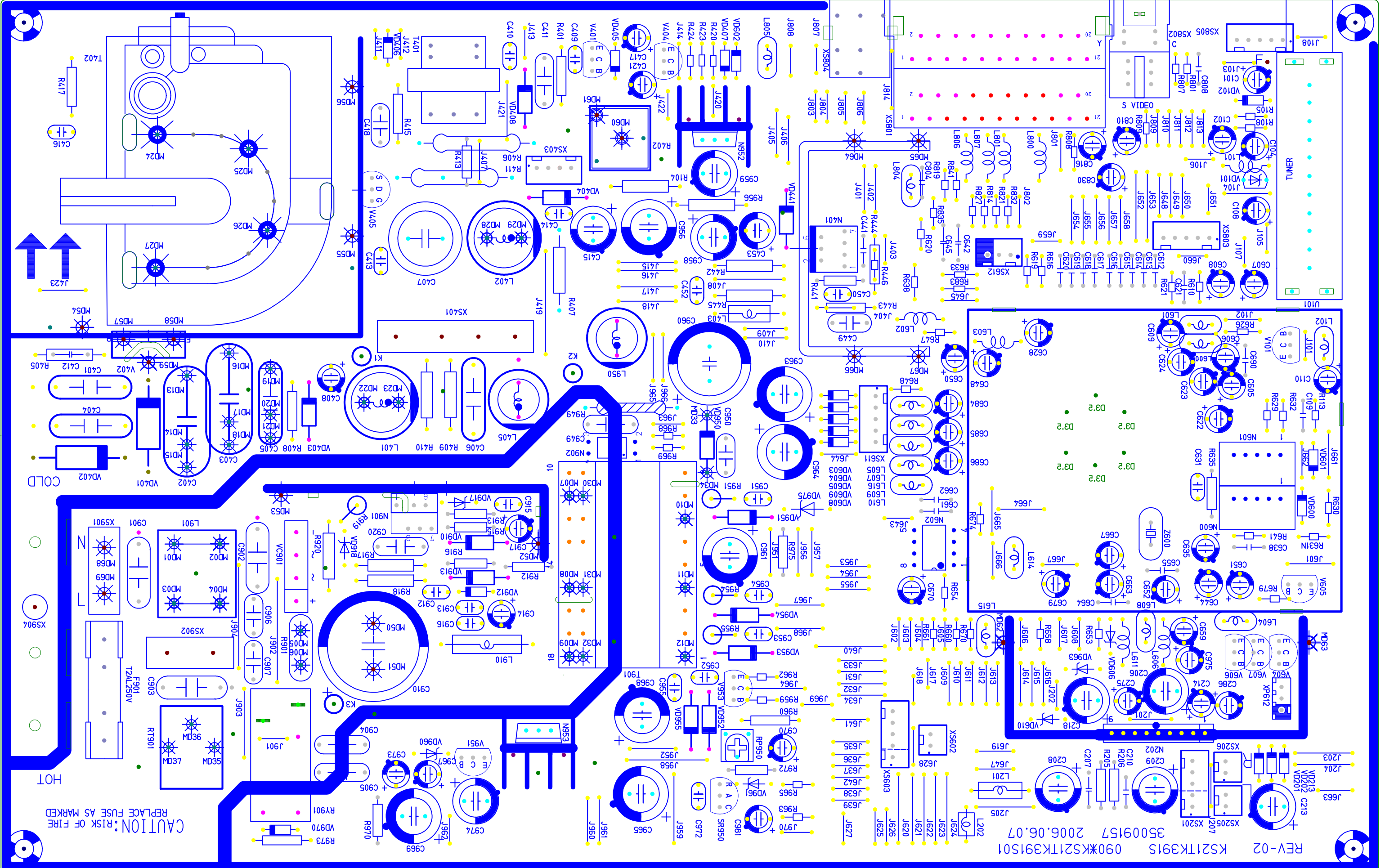


CAUTION: RISK OF FIRE
REPLACE FUSE AS MARKED

3.15A 250V
T3,15A/250V

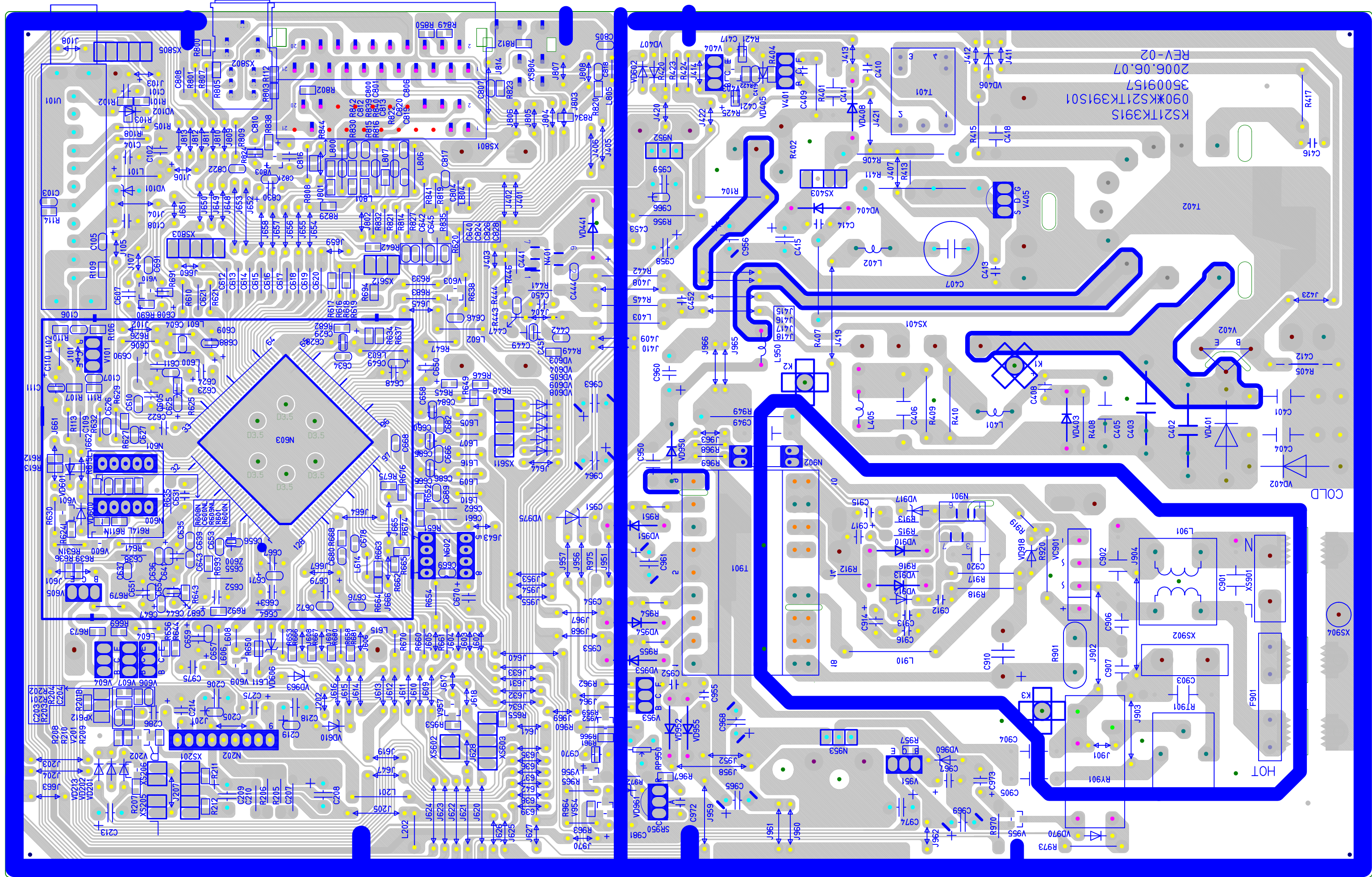
090*KP29TK2074 35008275 REV-02
 KP29TK2074 2006.06.07

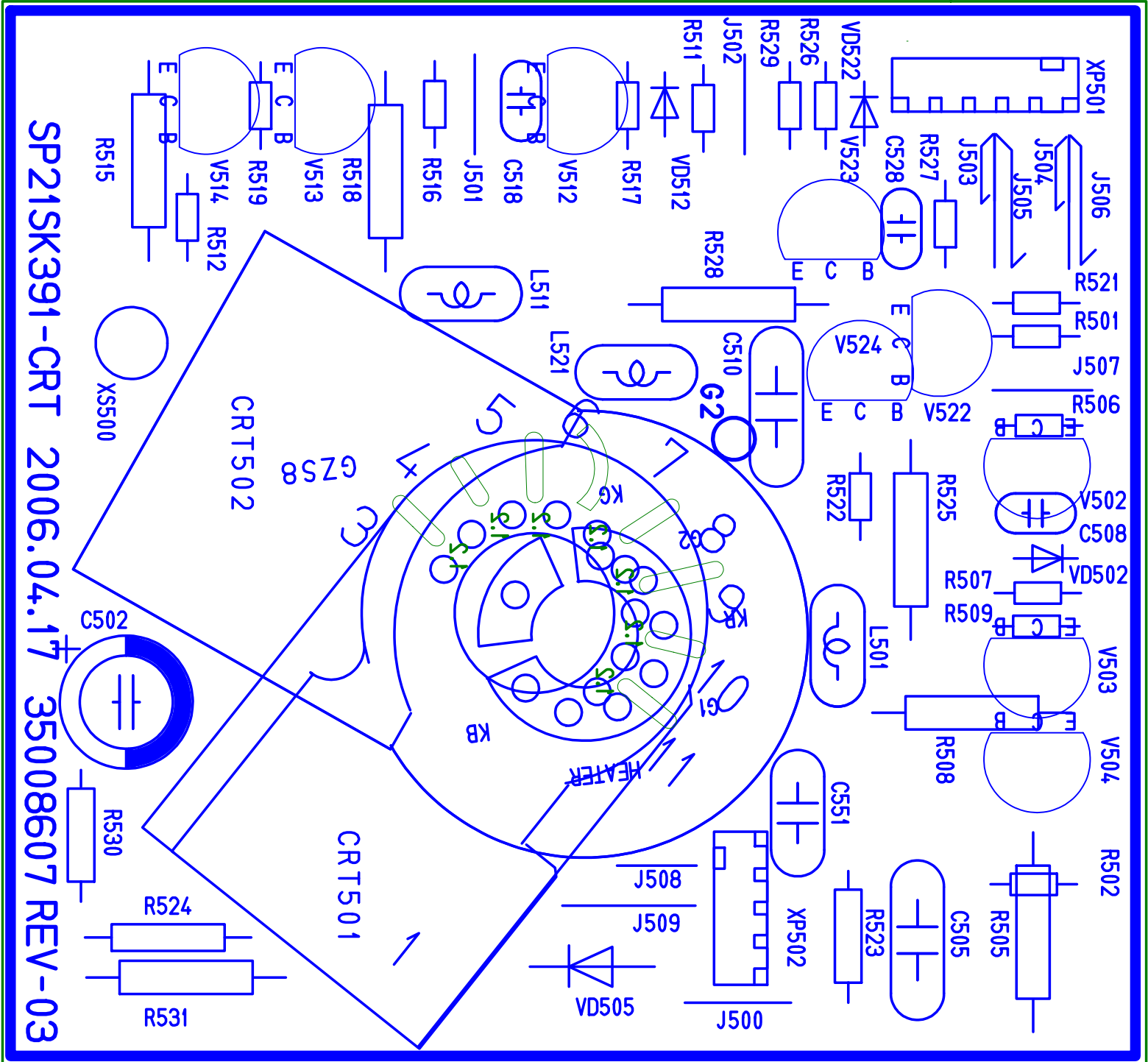




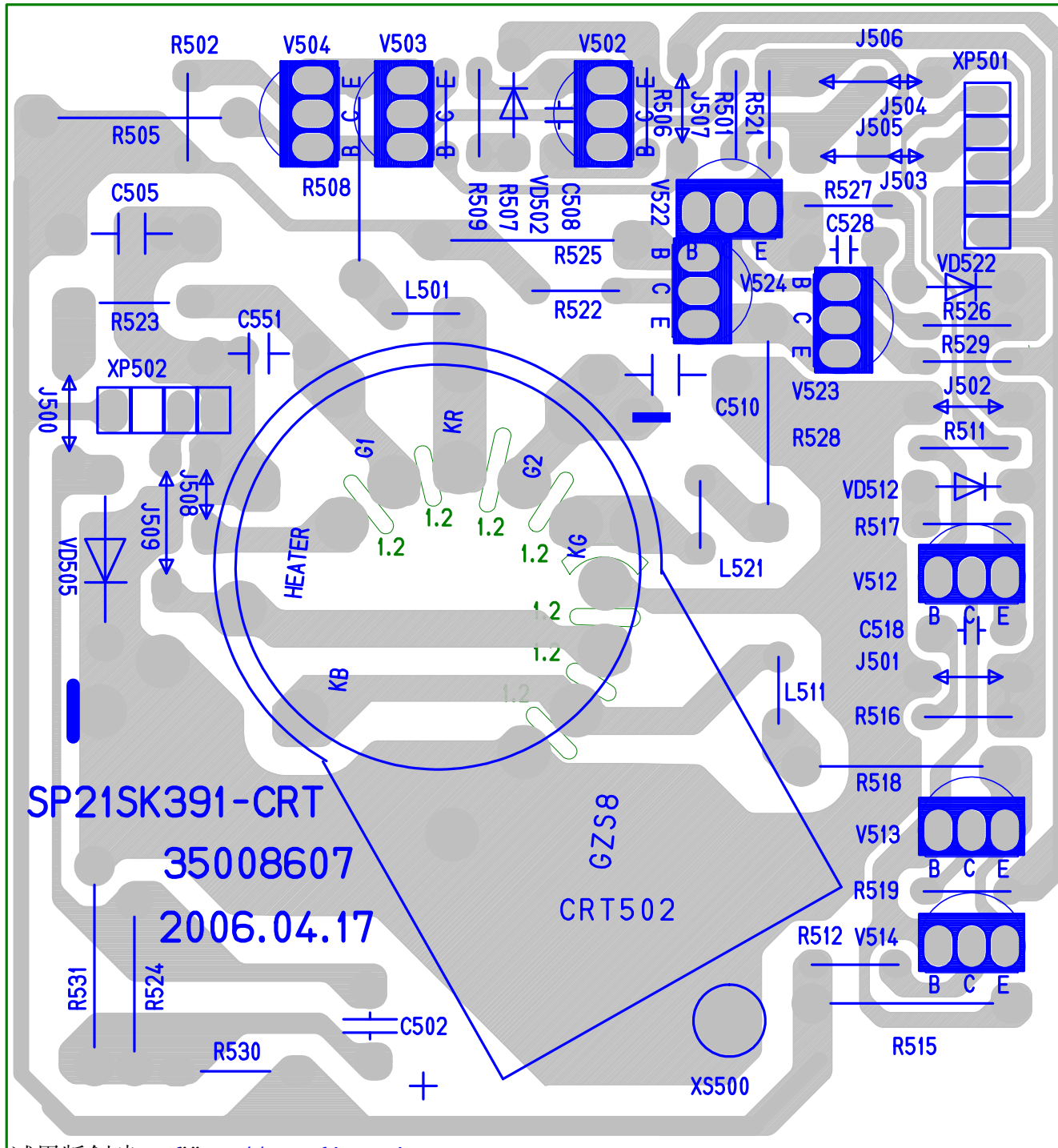
REV-02 K S21TK3915 090KKS21TK391501
35009157 2006.06.07

CAUTION: RISK OF FIRE
REPLACE FUSE AS MARKED

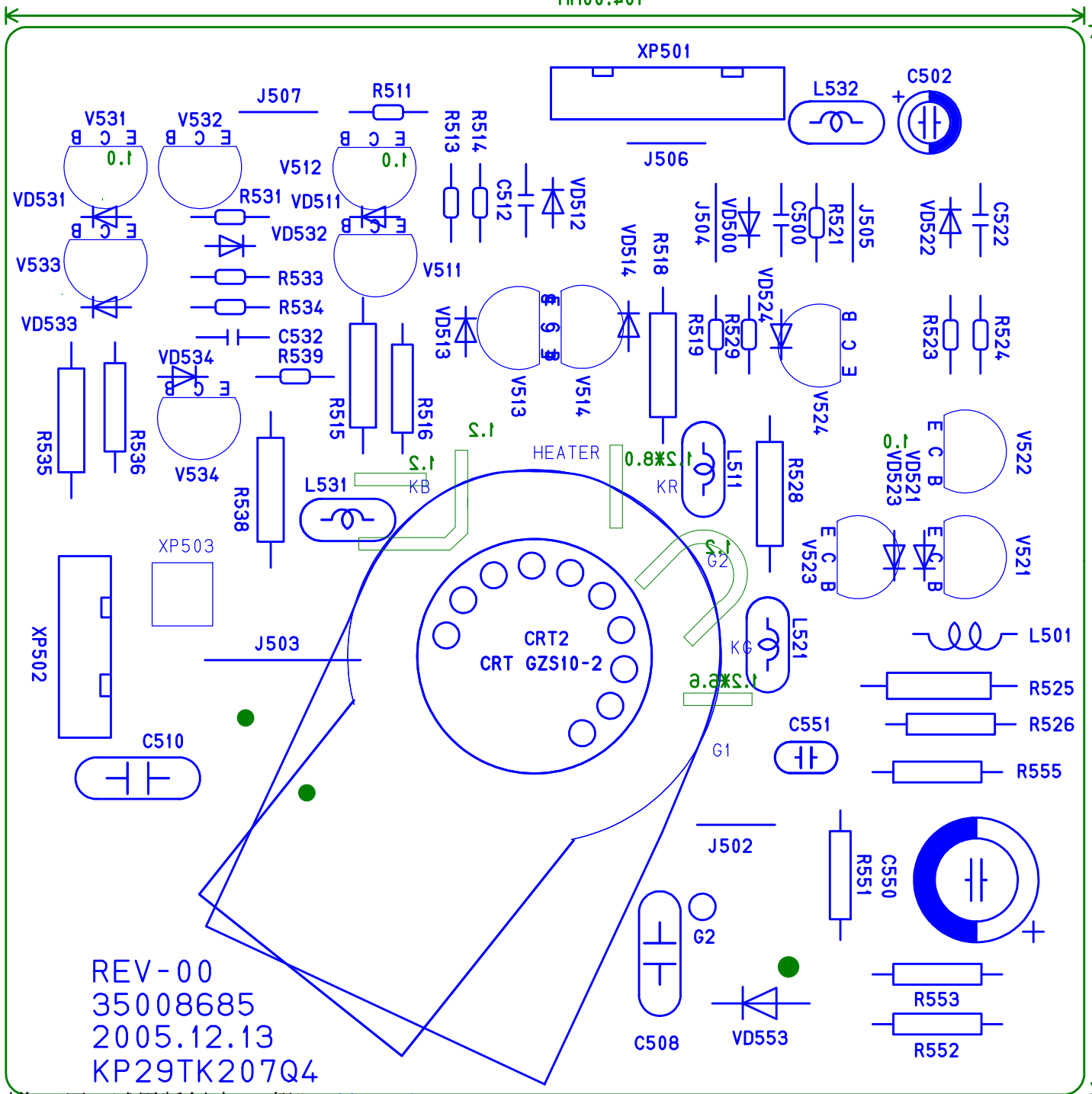




SP21SK391-CRT 2006.04.17 35008607 REV-03

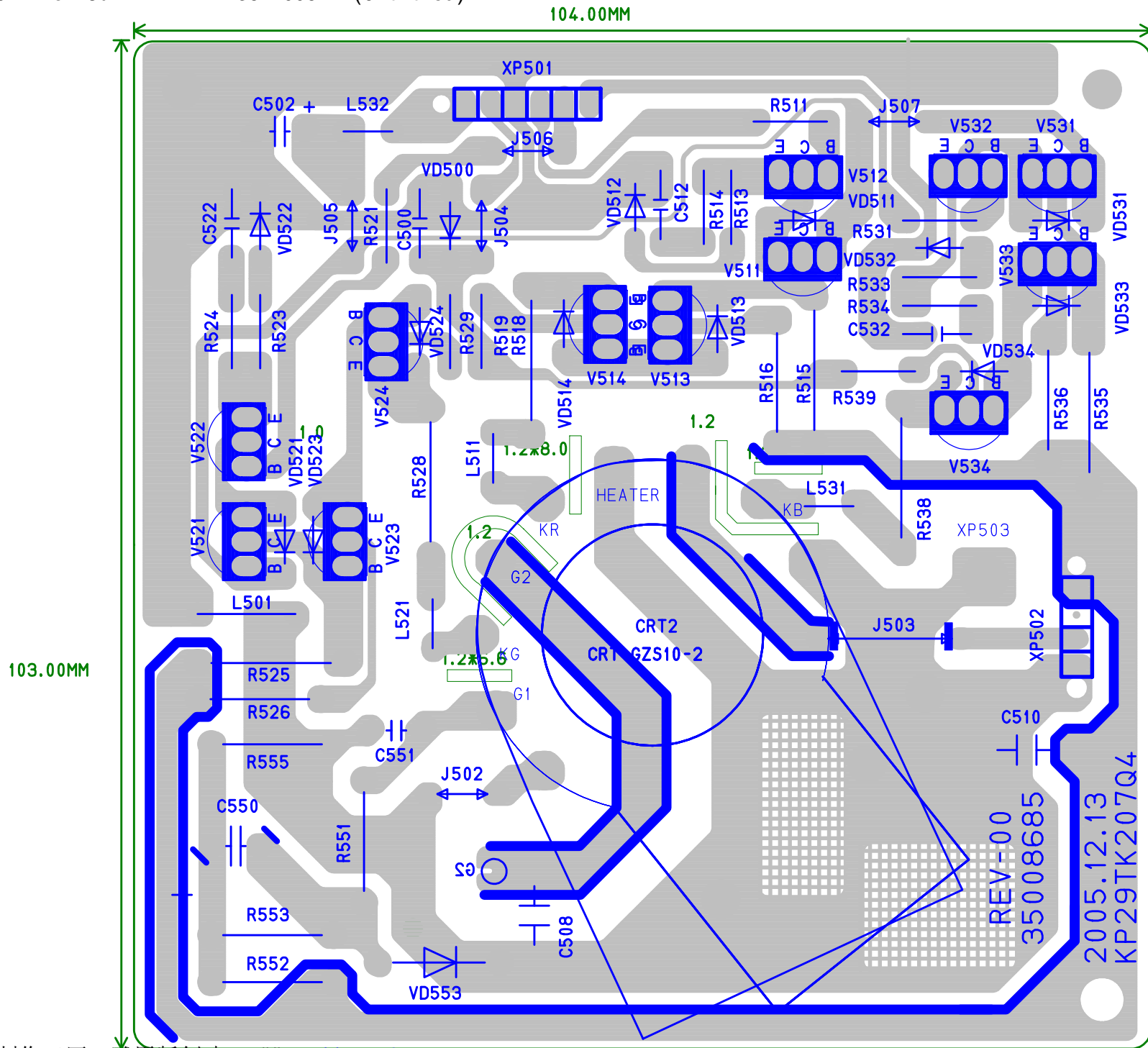


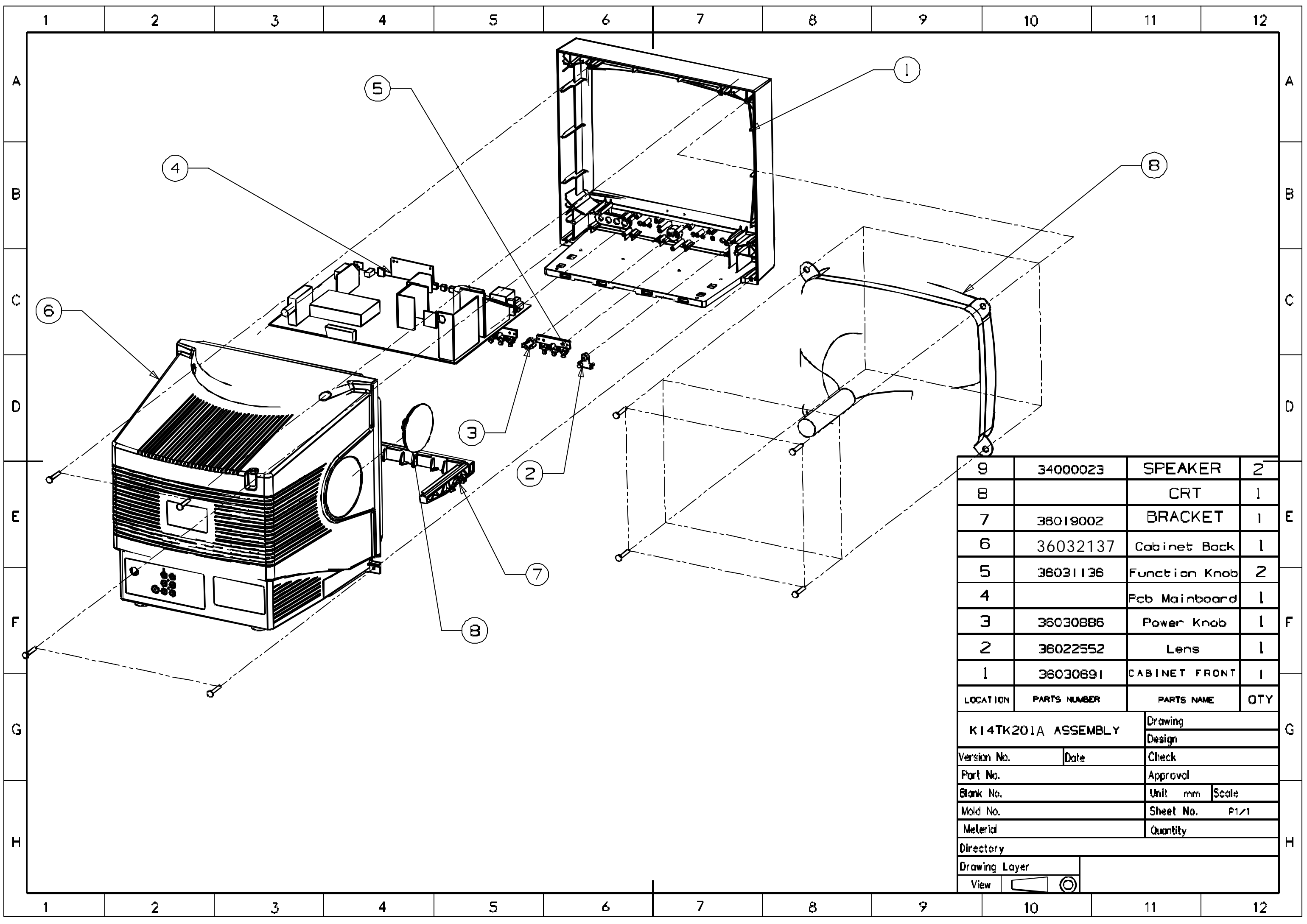
MM00.401



MM00.601

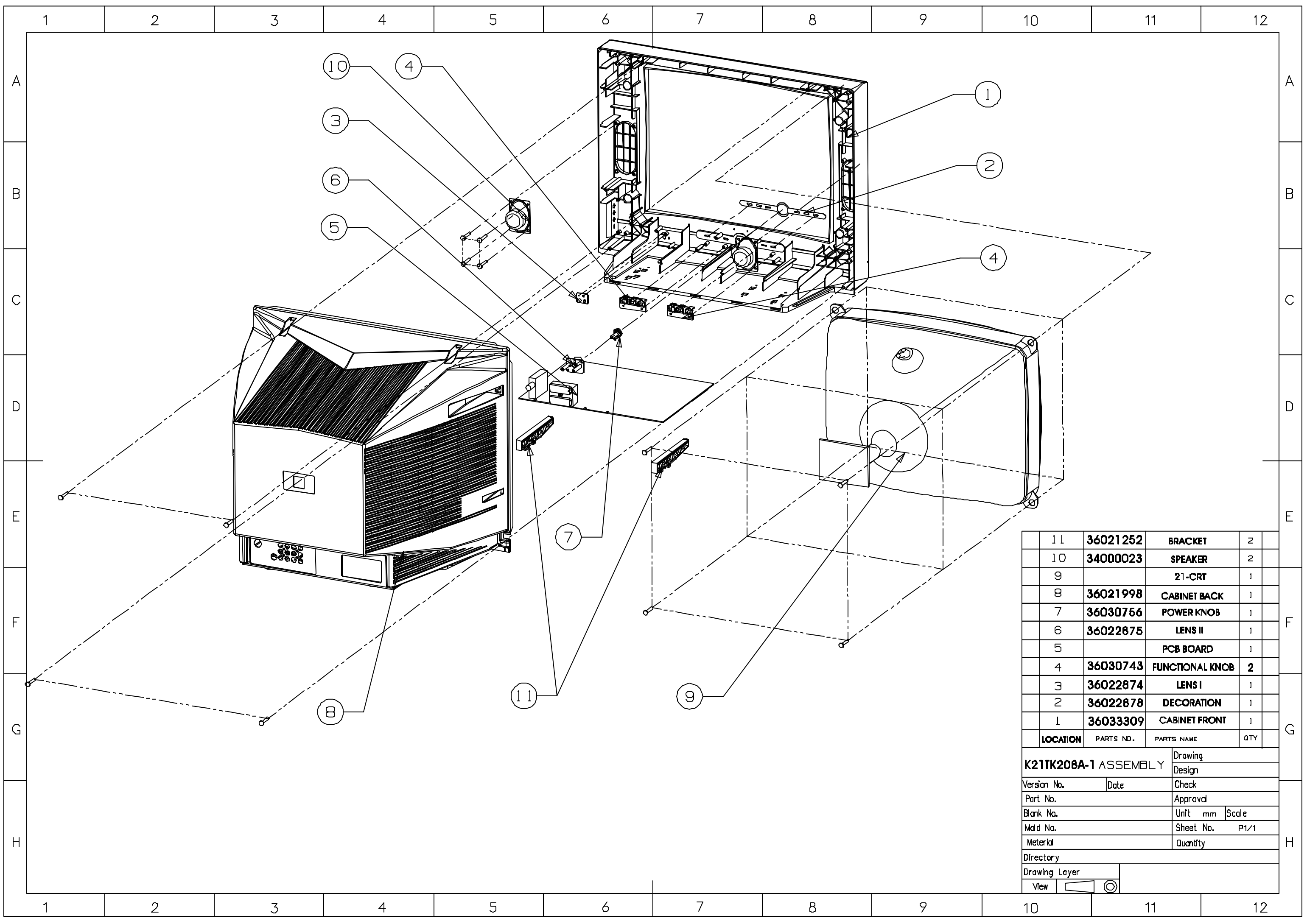
REV-00
35008685
2005.12.13
KP29TK207Q4



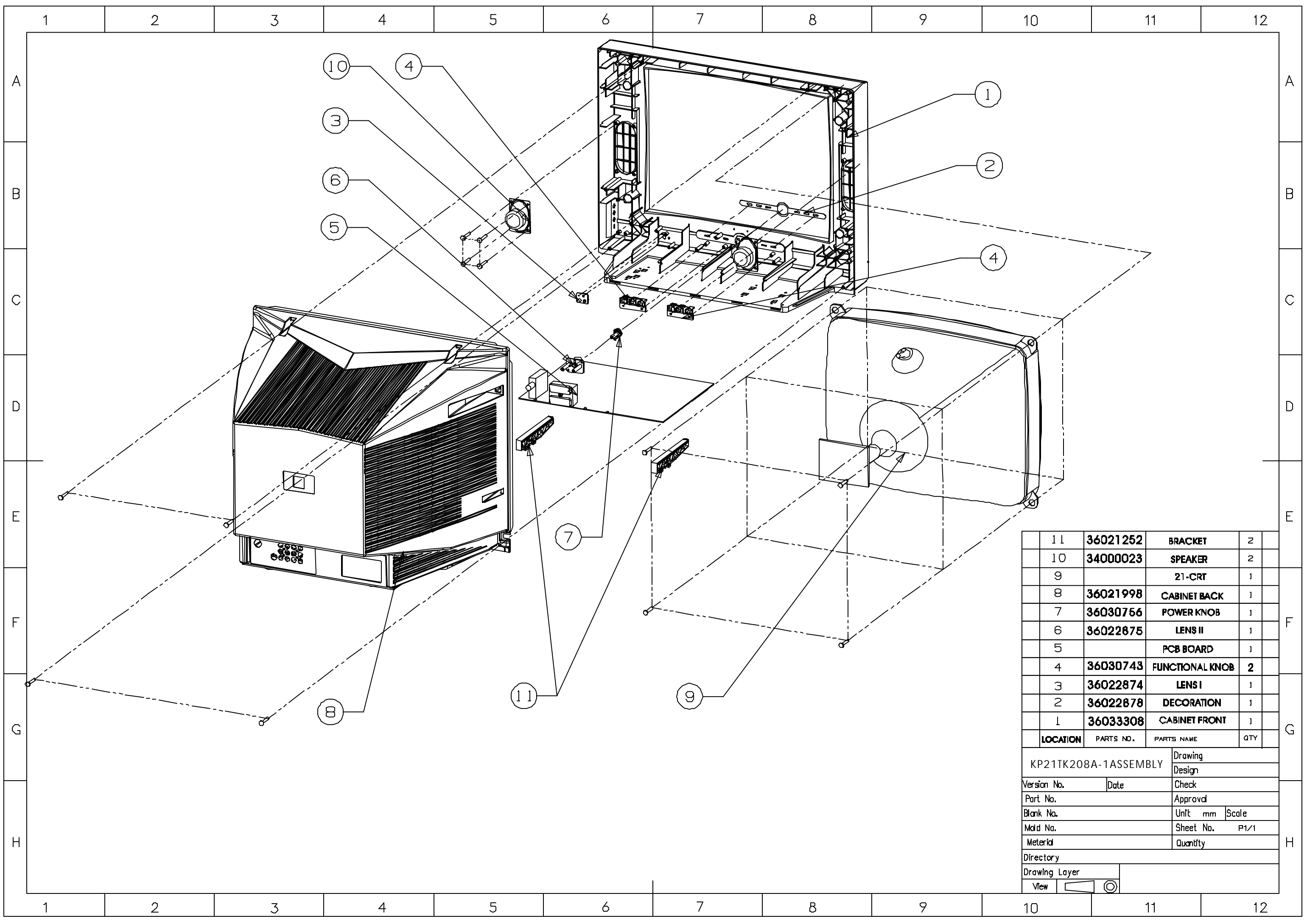


9	34000023	SPEAKER	2
8		CRT	1
7	36019002	BRACKET	1
6	36032137	Cabinet Back	1
5	36031136	Function Knob	2
4		Pcb Mainboard	1
3	36030886	Power Knob	1
2	36022552	Lens	1
1	36030691	CABINET FRONT	1

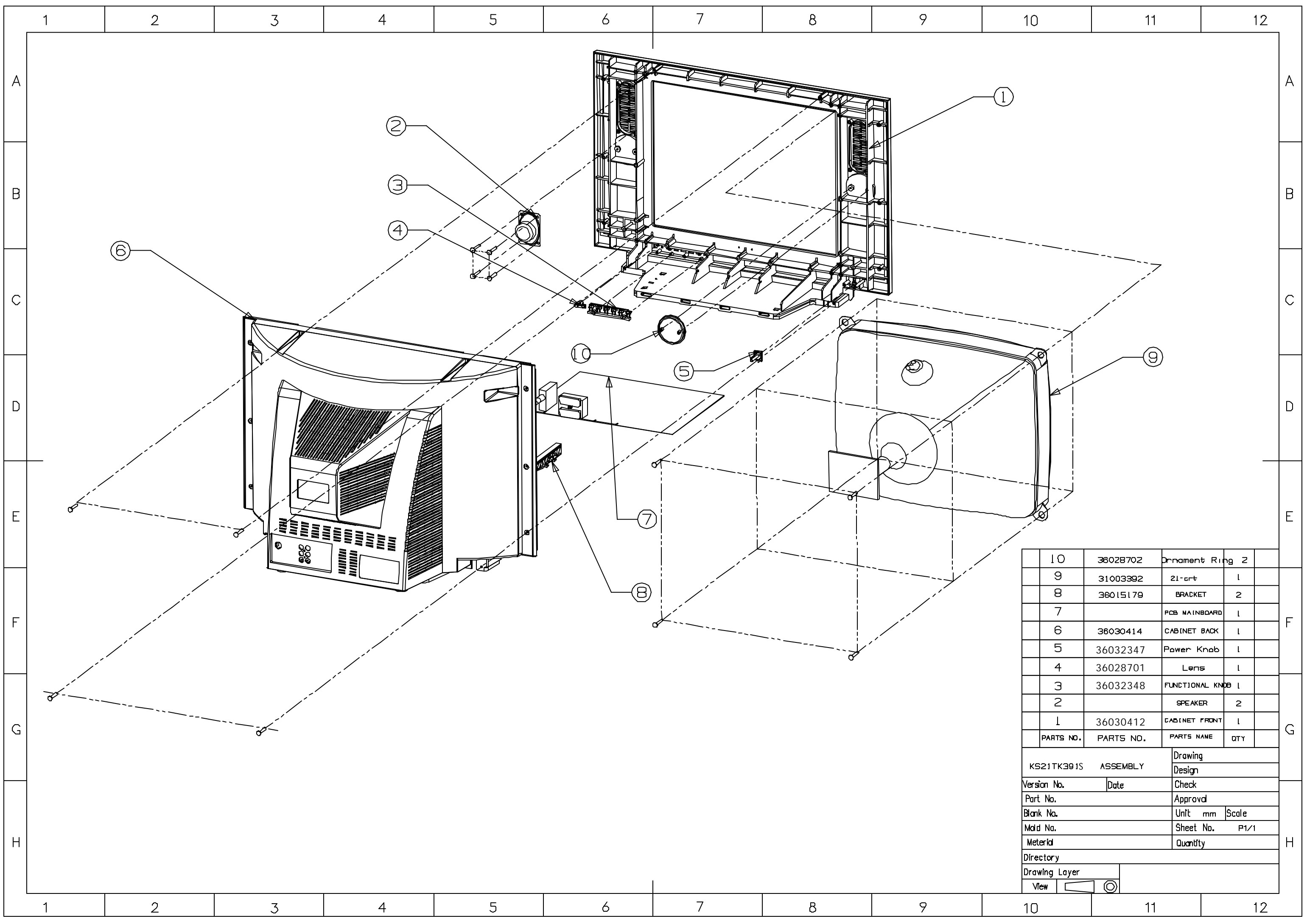
LOCATION	PARTS NUMBER	PARTS NAME	QTY
K14TK201A ASSEMBLY		Drawing	
		Design	
Version No.	Date	Check	
Part No.	Approval		
Blank No.	Unit	mm	Scale
Mold No.	Sheet No.	P1/1	
Material	Quantity		
Directory			
Drawing Layer			
View	<input type="checkbox"/>	<input checked="" type="checkbox"/>	



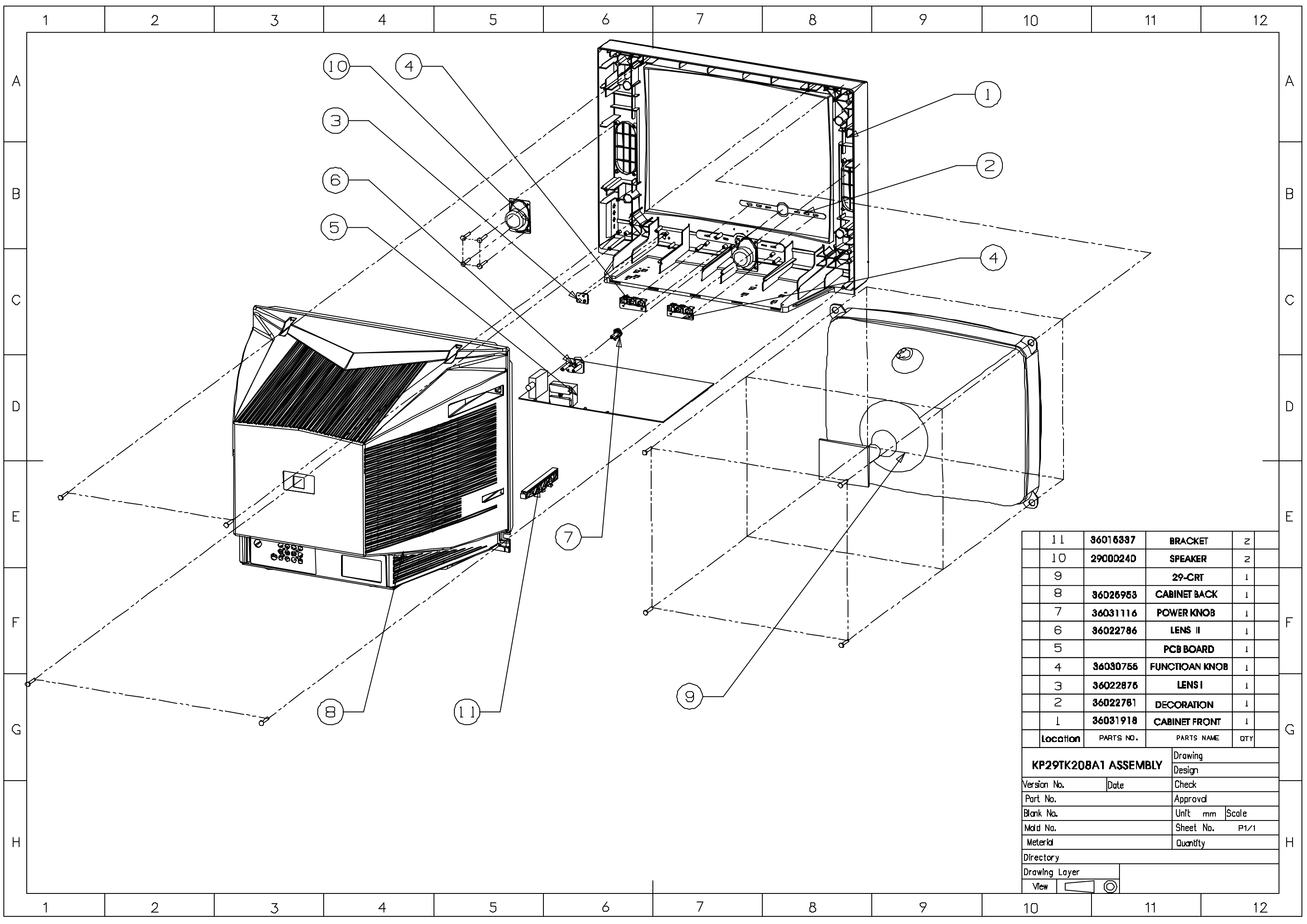
11	36021252	BRACKET	2
10	34000023	SPEAKER	2
9		21-CRT	1
8	36021998	CABINET BACK	1
7	36030756	POWER KNOB	1
6	36022875	LENS II	1
5		PCB BOARD	1
4	36030743	FUNCTIONAL KNOB	2
3	36022874	LENS I	1
2	36022878	DECORATION	1
1	36033309	CABINET FRONT	1
LOCATION	PARTS NO.	PARTS NAME	QTY
K21TK208A-1 ASSEMBLY		Drawing	
		Design	
Version No.	Date	Check	
Part No.		Approval	
Blank No.		Unit	mm Scale
Mold No.		Sheet No.	P1/1
Material		Quantity	
Directory			
Drawing Layer			
View	<input type="checkbox"/>	<input checked="" type="checkbox"/>	



11	36021252	BRACKET	2	
10	34000023	SPEAKER	2	
9		21-CRT	1	
8	36021998	CABINET BACK	1	
7	36030756	POWER KNOB	1	
6	36022875	LENS II	1	
5		PCB BOARD	1	
4	36030743	FUNCTIONAL KNOB	2	
3	36022874	LENS I	1	
2	36022878	DECORATION	1	
1	36033308	CABINET FRONT	1	
LOCATION	PARTS NO.	PARTS NAME	QTY	
KP21TK208A-1ASSEMBLY		Drawing		
		Design		
Version No.	Date	Check		
Part No.		Approval		
Blank No.		Unit	mm	Scale
Mold No.		Sheet No.	P1/1	
Material		Quantity		
Directory				
Drawing Layer				
View	<input type="checkbox"/>	<input checked="" type="checkbox"/>		



10	36028702	Ornament Ring 2	
9	31003392	21-art	1
8	36015179	BRACKET	2
7		PCB MAINBOARD	1
6	36030414	CABINET BACK	1
5	36032347	Power Knob	1
4	36028701	Lens	1
3	36032348	FUNCTIONAL KNOB	1
2		SPEAKER	2
1	36030412	CABINET FRONT	1
PARTS NO.	PARTS NO.	PARTS NAME	QTY
KS21TK391S ASSEMBLY		Drawing	
		Design	
Version No.	Date	Check	
Part No.		Approval	
Blank No.		Unit	Scale
Mold No.		Sheet No.	P1/1
Material		Quantity	
Directory			
Drawing Layer			
View	<input type="checkbox"/>	<input checked="" type="checkbox"/>	



11	36016337	BRACKET	2
10	29000240	SPEAKER	2
9		29-CRT	1
8	36026953	CABINET BACK	1
7	36031116	POWER KNOB	1
6	36022786	LENS II	1
5		PCB BOARD	1
4	36030755	FUNCTION KNOB	1
3	36022876	LENS I	1
2	36022781	DECORATION	1
1	36031918	CABINET FRONT	1
Location	PARTS NO.	PARTS NAME	QTY

KP29TK208A1 ASSEMBLY		Drawing	
		Design	
Version No.	Date	Check	
Part No.		Approval	
Blank No.		Unit	mm Scale
Mold No.		Sheet No.	P1/1
Material		Quantity	
Directory			
Drawing Layer			
View	<input type="checkbox"/>	<input checked="" type="checkbox"/>	